

SOLUTIONS 2.0

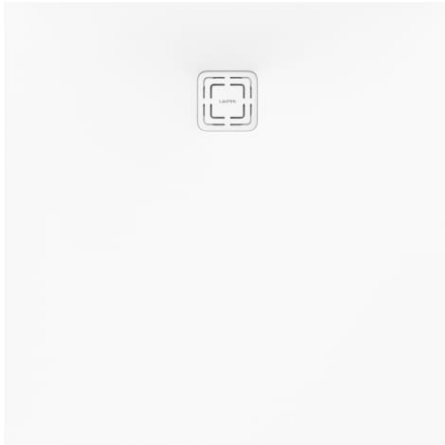
Shower tray with outlet on the short side

DIMENSIONS

Length	900 mm
Width	900 mm
Height	28 mm

COLOURS AND FINISHES

<input type="checkbox"/>	000 White
--------------------------	-----------

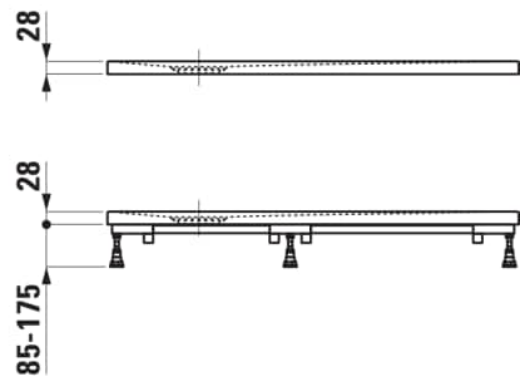
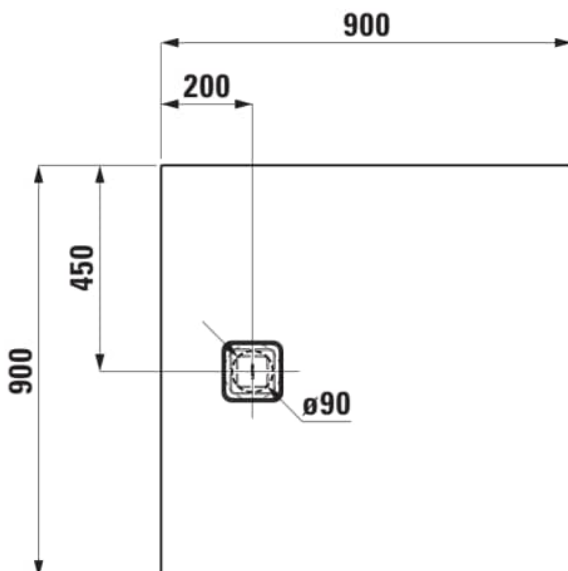


Commodity Code/Import Code Number for Foreign Trad : 39221000
Depth : Superslim (less than 45mm)

Material : Marbond
Net weight (kg) : 36

Shape : Square

TECHNICAL DRAWINGS



COMPATIBLE WITH



Installation frame for
Marbond shower tray

H2957250000001

SOLUTIONS 2.0

#material_text

MARBOND

Marbond

Marbond is a composite material made of two layers which are extremely well connected with each other: The basis is formed by a high-quality mineral casting material, the surface is coated with a two millimetre thick acrylic layer. Marbond is hygienic, easy to clean, temperature resistant according to EN 263 and anti-slip (class C).