

MEDA

Bathtub, corner version left, made of Marbond composite material



DIMENSIONS

Length	1800 mm
Width	800 mm
Height	590 mm

COLOURS AND FINISHES

000 White

#option

000 - standard option

#mountingAccessoriesExcluded_text

Noise control band, order no. 29555.1

Commodity Code/Import Code Number for Foreign Trad : 39221000

Drain : Included

Installation structure : With feet

Internal height (mm) : 1345

Material : Marbond

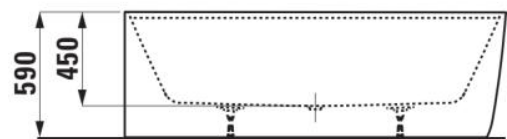
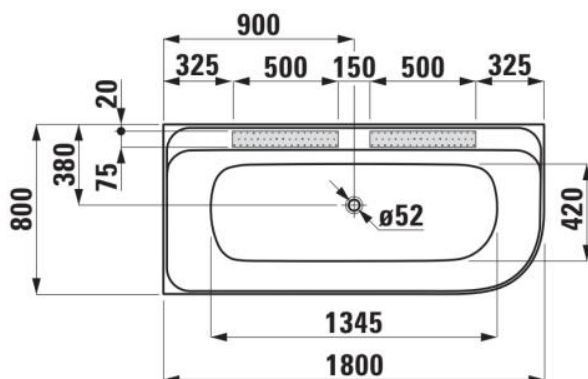
Net weight (kg) : 145

Shape : Oval

Waste diameter (mm) : 52

Water capacity to overflow (l) : 265

TECHNICAL DRAWINGS



COMPATIBLE WITH



Neck cushion, black, self-adhesive, for curved bathtub contours

H294103...0001

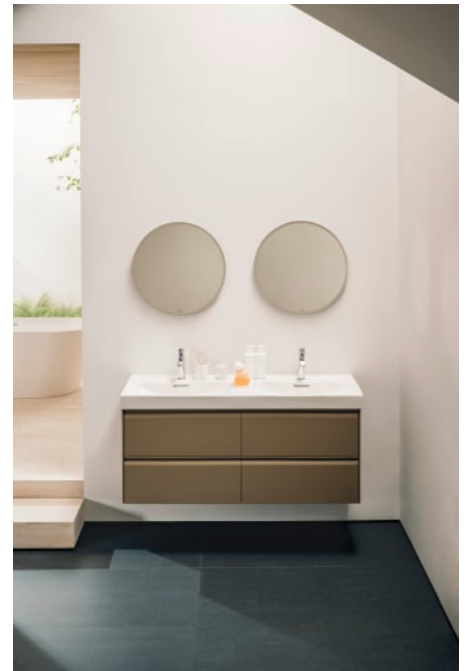


Noise control tape 1 roll = 3,30m

H2955510000001

MEDA

Versatile and timeless. The MEDA collection effortlessly complements any setting, from rental apartment to hotel suite, while reflecting the proven virtues of Swiss design; clarity, functionality and attention to detail. A style emblematic of Swiss designer Peter Wirz and his design firm Vetica.



#material_text

MARBOND

Marbond

Marbond is a composite material made of two layers which are extremely well connected with each other: The basis is formed by a high-quality mineral casting material, the surface is coated with a two millimetre thick acrylic layer. Marbond is hygienic, easy to clean, temperature resistant according to EN 263 and anti-slip (class C).