

## LAUFEN

### Siphon for shower trays DN90 including chrome cover

#### DIMENSIONS

Length	112 mm
Width	306 mm
Height	86 mm

#### COLOURS AND FINISHES

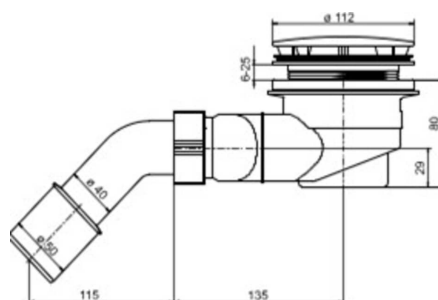
■	004 Chromed
---	-------------



Commodity Code/Import Code Number for Foreign Trad : 84818019

Net weight (kg) : 0.37

#### TECHNICAL DRAWINGS



COMPATIBLE WITH



Shower tray, square,  
enamelled steel (3.5 mm),  
extra flat (30 mm)

**H215001...0401**



Shower tray, square,  
enamelled steel (3.5 mm),  
flat (65 mm)

**H215011...0401**



Shower tray, square,  
enamelled steel (3.5 mm),  
deep (150 mm)

**H215021...0401**



Shower tray, rectangular,  
enamelled steel (3.5 mm),  
extra flat (30 mm)

**H215003...0401**



Shower tray, rectangular,  
enamelled steel (3.5 mm),  
flat (65 mm)

**H215013...0401**



Shower tray, rectangular,  
enamelled steel (3.5 mm),  
deep (150 mm)

**H215023...0401**



Shower tray, square,  
enamelled steel (3.5 mm),  
extra flat (30 mm)

**H215002...0401**



Quadrant shower tray,  
enamelled steel (3.5 mm),  
radius 550 mm, extra flat  
(30 mm)

**H215008...0401**



Shower tray, square,  
enamelled steel (3.5 mm),  
flat (65 mm)

**H215012...0401**



Quadrant shower tray,  
enamelled steel (3.5 mm),  
radius 550 mm, flat (65  
mm)

**H215018...0401**



Shower tray, square,  
enamelled steel (3.5 mm),  
deep (150 mm)

**H215022...0401**



Shower tray, rectangular,  
enamelled steel (3.5 mm),  
extra flat (25 mm)

**H215040...0401**



Shower tray, rectangular,  
enamelled steel (3.5 mm),  
flat (65 mm)

**H215041...0401**



Shower tray, rectangular,  
enamelled steel (3.5 mm),  
extra flat (30 mm)

**H215030...0401**



Shower tray, rectangular,  
enamelled steel (3.5 mm),  
flat (65 mm)

**H215031...0401**



Shower tray, square,  
enamelled steel (3.5 mm),  
extra flat (30 mm)

**H215004...0401**



Quadrant shower tray,  
enamelled steel (3.5 mm),  
radius 550 mm, extra flat  
(30 mm)

**H215009...0401**



Shower tray, square,  
enamelled steel (3.5 mm),  
flat (65 mm)

**H215014...0401**



Shower tray, square,  
enamelled steel (3.5 mm),  
flat (65 mm)

**H215019...0401**



Shower tray, rectangular,  
enamelled steel (3.5 mm),  
extra flat (30 mm)

**H215005...0401**



Shower tray, rectangular,  
enamelled steel (3.5 mm),  
flat (65 mm)

**H215015...0401**



Shower tray, rectangular,  
enamelled steel (3.5 mm),  
extra flat (30 mm)

**H215032...0401**



Shower tray, rectangular,  
enamelled steel (3.5 mm),  
flat (65 mm)

**H215033...0401**



Shower tray, rectangular,  
enamelled steel (3.5 mm),  
extra flat (30 mm)

**H215006...0401**



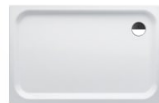
Shower tray, rectangular,  
enamelled steel (3.5 mm),  
flat (65 mm)

**H215016...0401**



Shower tray, rectangular,  
enamelled steel (3.5 mm),  
extra flat (30 mm)

**H215034...0401**



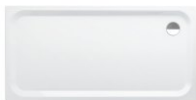
Shower tray, rectangular,  
enamelled steel (3.5 mm),  
flat (65 mm)

**H215035...0401**



Shower tray, rectangular,  
enamelled steel (3.5 mm),  
flat (45 mm)

**H215036...0401**



Shower tray, rectangular,  
enamelled steel (3.5 mm),  
flat (45 mm)

**H215037...0401**

LAUFEN