



**KARTELL LAUFEN**

Basin mixer, projection 115 mm, fixed spout, without pop-up waste

**DIMENSIONS**

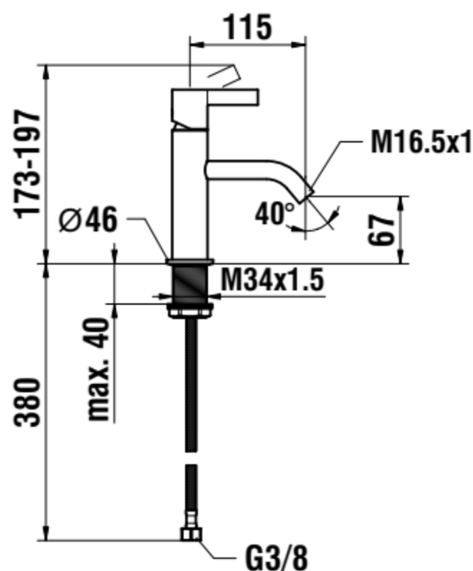
Length	1 mm
Width	1 mm
Height	1 mm

Acoustic level (dB) : Group 1 (Up to 20 dB)  
 Aerator type : Honeycomb PCA  
 Annual energy consumption (kWh/p.a.) : 354.76  
 Application : Basin  
 Commodity Code/Import Code Number for Foreign Trad : 84818011  
 Faucet type : Single-lever

Fixed spout  
 Flexible supply hoses included  
 Flow rate (l/min - 3 bar) : 5.3  
 Handle position : Top  
 Installation type : Deck-mounted  
 Net weight (kg) : 1.03

Spout position : Central  
 Type of cartridge : Ceramic Disc  
 Waste type : Waste not included  
 Water and energy-saving  
 Water connection diameter : 3/8"

**TECHNICAL DRAWINGS**



COMPATIBLE WITH



Pop-up waste, "Automatic Clic", 63 mm x G1 1/4", chrome

**H3709890041041**







## Kartell LAUFEN

Kartell • LAUFEN transports you to a realm of ethereal beauty, where the ordinary dissolves into a bold fusion of colour, light, and design. This visionary collaboration redefines the bathroom, inviting you to shape a fluid, ever-evolving space, transforming it from mere function into a canvas for creativity and self-expression.



#certification\_text

Standards and approvals: A+