



KARTELL LAUFEN

Set for concealed bath mixer, for Simibox Standard & Simibox Light, with integrated safety device Type LB, PVD rosegold brushed

DIMENSIONS

Length	1 mm
Width	1 mm
Height	1 mm

Acoustic level (dB) : Group 1 (Up to 20 dB)

Application : Bath

Cartridge features : Flow brake,
Temperature brake

Check valve

Commodity Code/Import Code Number for
Foreign Trad : 84818019

Diverter : Automatic

Faucet type : Single-lever

Flow rate (l/min - 3 bar) : 20.6

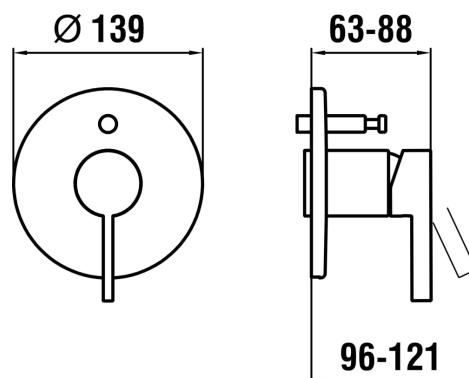
Installation type : Built-in

Net weight (kg) : 1.12

Type of cartridge : Ceramic Disc

Water and energy-saving

TECHNICAL DRAWINGS



COMPATIBLE WITH



Concealed box, for bath and shower mixers, fittings 1/2", with stopvalves, inversion for in-/outlets possible

HF574007000000



Concealed box, for bath and shower mixers, fittings 1/2", with stopvalves

HF574037000000



Concealed box, for bath and shower mixers, fittings 1/2", without stopvalves

HF574038000000

Kartell LAUFEN

Kartell • LAUFEN transports you to a realm of ethereal beauty, where the ordinary dissolves into a bold fusion of colour, light, and design. This visionary collaboration redefines the bathroom, inviting you to shape a fluid, ever-evolving space, transforming it from mere function into a canvas for creativity and self-expression.

