



KARTELL LAUFEN

Set for concealed shower mixer, for Simibox Standard & Simibox Light

DIMENSIONS

Length	1 mm
Width	1 mm
Height	1 mm

Acoustic level (dB) : Group 1 (Up to 20 dB)

Application : Shower

Cartridge features : Flow brake,
Temperature brake

Check valve

Commodity Code/Import Code Number for
Foreign Trad : 84818011

Faucet type : Single-lever

Flow rate (l/min - 3 bar) : 13.1

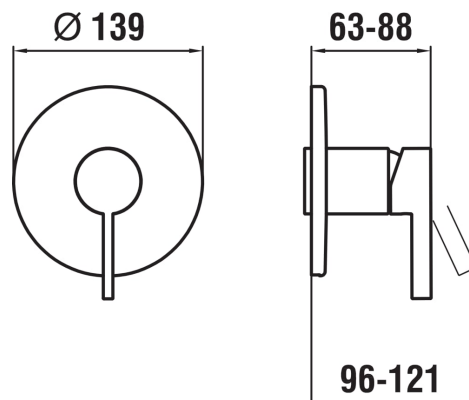
Installation type : Built-in

Net weight (kg) : 1.01

Type of cartridge : Ceramic Disc

Water and energy-saving

TECHNICAL DRAWINGS



COMPATIBLE WITH



Bathtub, drop-in version, made of Sentec solid surface, with tap bank on left-hand side, with slot overflow in the side at the front, with frame

H223331...6161



Freestanding bathtub, made of Sentec solid surface, with tap bank on right-hand side, with slot overflow, with lifting system

H223332...6161



Bathtub, right corner, made of Sentec solid surface, with panel, with tap bank, with slot overflow in the side at the front, with frame

H223335...6161



Bathtub, drop-in version, made of Sentec solid surface, with tap bank on right side, with slot overflow in the side at the front, with frame

H224331...6161



Freestanding bathtub, made of Sentec solid surface, with tap bank on left-hand side, with slot overflow, with lifting system

H224332...6161



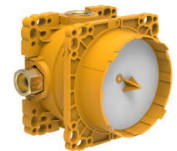
Bathtub, left corner, made of Sentec solid surface, with panel, with tap bank, with slot overflow in the side at the front, with frame

H224336...6161



Concealed box, for bath and shower mixers, fittings 1/2", with stopvalves, inversion for in-/outlets possible

HF574007000000



Concealed box, for bath and shower mixers, fittings 1/2", with stopvalves

HF574037000000



Concealed box, for bath and shower mixers, fittings 1/2", without stopvalves

HF574038000000



Kartell LAUFEN

Kartell • LAUFEN transports you to a realm of ethereal beauty, where the ordinary dissolves into a bold fusion of colour, light, and design. This visionary collaboration redefines the bathroom, inviting you to shape a fluid, ever-evolving space, transforming it from mere function into a canvas for creativity and self-expression.

