

NIARA

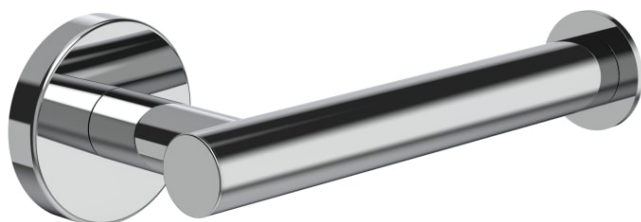
Toilet roll holder without cover

DIMENSIONS

| | |
|--------|--------|
| Length | 172 mm |
| Width | 82 mm |
| Height | 58 mm |

COLOURS AND FINISHES

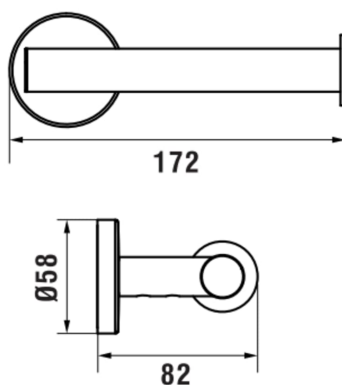
■ 004 Chromed



Commodity Code/Import Code Number for Foreign Trad : 73249000

Net weight (kg) : 0.23

TECHNICAL DRAWINGS



COMPATIBLE WITH



Adhesive kit simple

H380061...0001





NIARA

Architectural forms with NIARA, a comprehensive collection of accessories with a minimalistic design, in a colour palette mirroring LAUFEN faucets for a harmonious aesthetic throughout the bathroom. At the heart of NIARA lies a philosophy that eschews the temporary allure of trends for a focus on sustainability, safety, and strength, offering an enduring design without compromising on style. NIARA, with its rounded form, offers a minimalistic aesthetic and is available in a sophisticated colour palette of six finishes; Chrome, Inox, Rose Gold Polished, Titanium Black Matt, Pale Gold Matt and Rose Gold Brushed.

