

NIARA

Toilet roll holder with shelf



DIMENSIONS

Length	159 mm
Width	112 mm
Height	88 mm

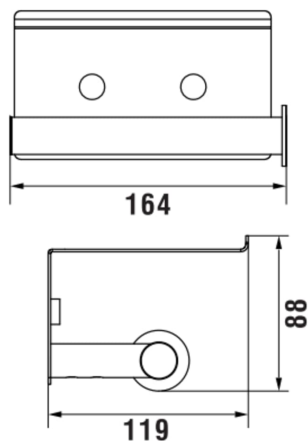
COLOURS AND FINISHES

■ 004 Chromed

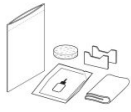
Commodity Code/Import Code Number for
Foreign Trad : 73249000

Net weight (kg) : 0.58

TECHNICAL DRAWINGS



COMPATIBLE WITH



Adhesive kit universal

H380061...0031





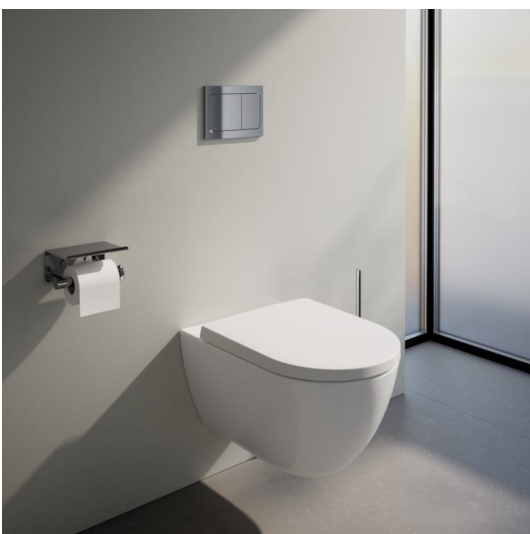














































NIARA

Architectural forms with NIARA, a comprehensive collection of accessories with a minimalistic design, in a colour palette mirroring LAUFEN faucets for a harmonious aesthetic throughout the bathroom. At the heart of NIARA lies a philosophy that eschews the temporary allure of trends for a focus on sustainability, safety, and strength, offering an enduring design without compromising on style. NIARA, with its rounded form, offers a minimalistic aesthetic and is available in a sophisticated colour palette of six finishes; Chrome, Inox, Rose Gold Polished, Titanium Black Matt, Pale Gold Matt and Rose Gold Brushed.

