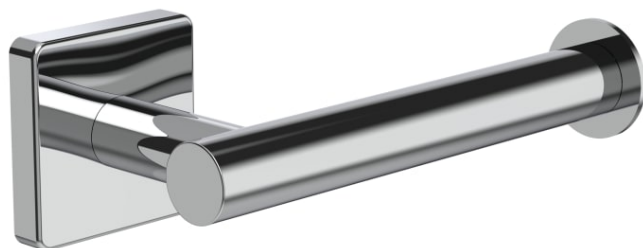


NIARA S

Toilet roll holder without cover



DIMENSIONS

Length	172 mm
Width	82 mm
Height	58 mm

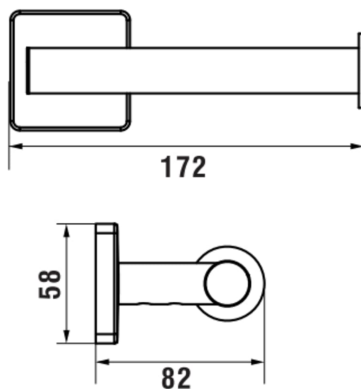
COLOURS AND FINISHES

■	004 Chromed
---	-------------

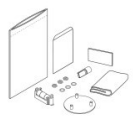
Commodity Code/Import Code Number for
Foreign Trad : 73249039

Net weight (kg) : 0.25

TECHNICAL DRAWINGS



COMPATIBLE WITH



Adhesive kit simple

H380061...0001

NIARA S

Presenting NIARA S, an all-encompassing collection replete with an extensive array of accessories meticulously crafted to deliver peak functionality. NIARA S embodies the core values that lie close to LAUFEN's heart: safety, superiority, sustainability, and strength. All available in a captivating spectrum of PVD finishes. Revolutionizing the installation paradigm, NIARA S introduces a dual fixing system, offering the freedom to install bathroom accessories with or without the need for a drill. Enter the ingenious Smart-Fast adhesive, an innovation allowing for the seamless installation of bathroom accessories.

