

BASE 2.0


Vanity unit, 2 drawers, matches washbasin
PRO S H810964 / PRO X 810864



DIMENSIONS

Length	620 mm
Width	445 mm
Height	515 mm

COLOURS AND FINISHES

	260 White Matt
---	----------------

Adjustable legs

Basin position : Central

Closing and opening system : Soft close drawers

Commodity Code/Import Code Number for Foreign Trad : 94036090

Doors and drawers combination : 2 drawers

Furniture configuration : Drawers

Installation type : Wall-hung

Leg material/finish : Chrome

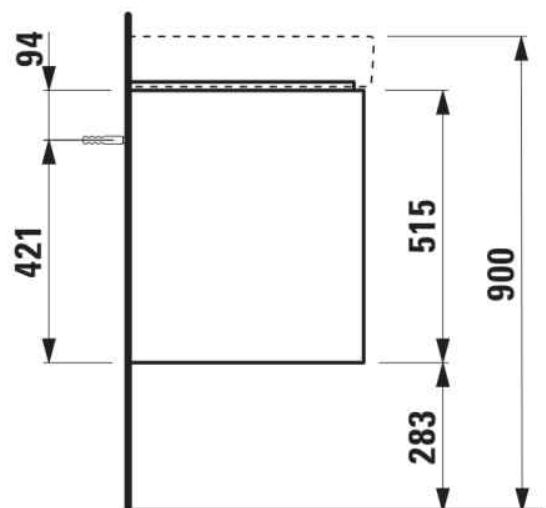
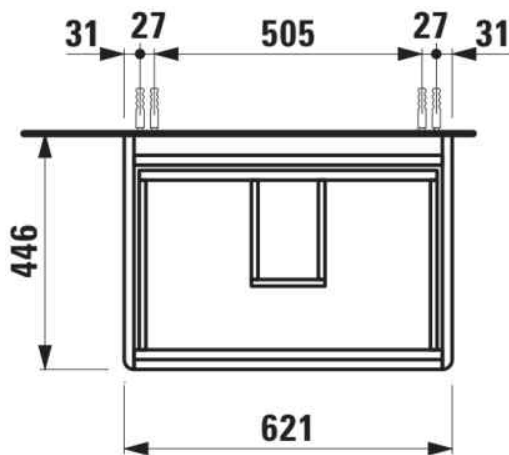
Leg maximum height (mm) : 283

Material : MDF

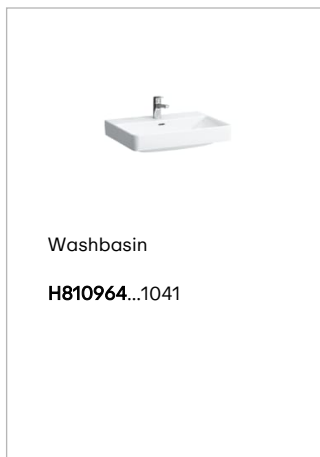
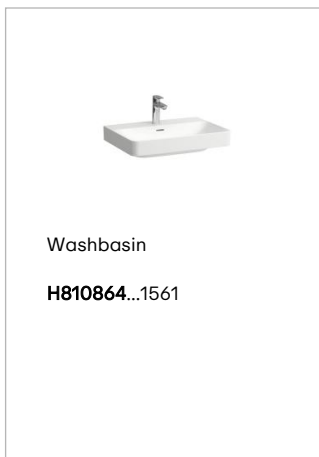
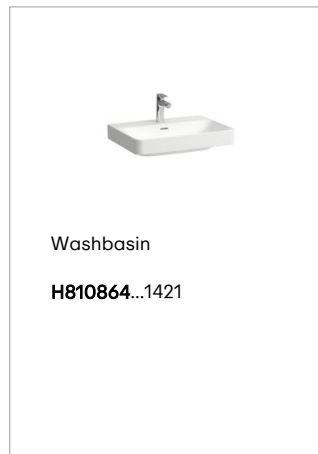
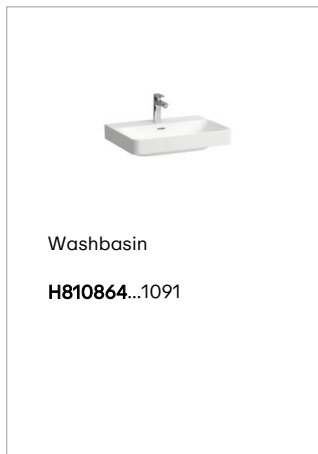
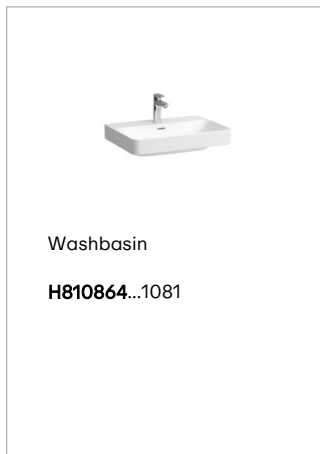
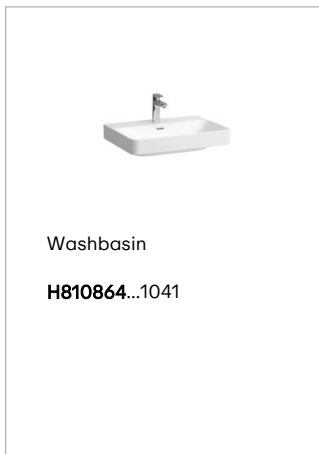
Net weight (kg) : 24.8

Organiser boxes : 1

TECHNICAL DRAWINGS



COMPATIBLE WITH







BASE 2.0

Evolving a classic – a subtle restyle to a timeless design, maintaining its signature appeal while enhancing its versatility and puristic aesthetic.

Rounded corners, integrated J-type handles and anthracite interiors create a refined, seamless look, while full extension drawers with soft-close and a handy drawer organizer ensure practicality.

Available in over 40 colour options, BASE 2.0 is the perfect companion for PRO S and VAL washbasins, offering a solution for any bathroom style.

