



## SCOPIO

Floorstanding washbasin, with wall connection, made of Vitreon Steel, with tap bank, with one tap hole, centered, without overflow, including fixing set, drain valve

### DIMENSIONS

Length	400 mm
Width	500 mm
Height	900 mm

### COLOURS AND FINISHES

□ 000 White

### #option

111 - one tap hole, without overflow

Back glazed

Bowl length (mm) : 400

Bowl position : Central

Bowl width (mm) : 500

Fixing kit : Included

Glazed base

Installation type : Floor-standing

Internal Shape : Round

Material : Vitreon Steel

Net weight (kg) : 24.5

Overflow type : Standard

Plug and Waste : Included

Shape : Round

Taphole configuration : 1 taphole in the middle

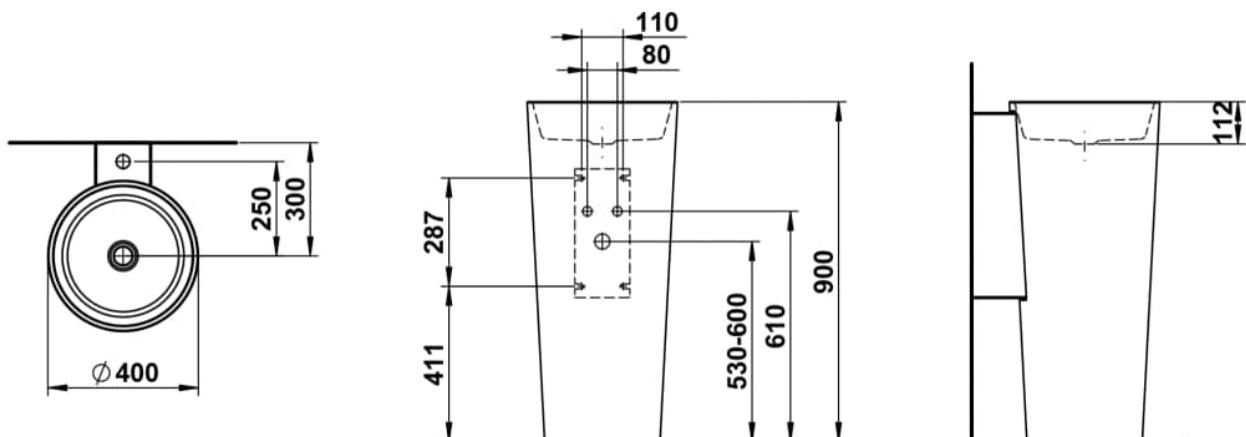
Trap : Included

Waste : Included

Weight (Kg) : 24.5

Without overflow

## TECHNICAL DRAWINGS





## SCOPIO

Each washbasin in the SCOPIO series is a masterpiece in its own right, redefining space through formal clarity and aesthetic sophistication. The series combines functionality and art, elegance and simplicity, creating a harmonious environment that is more than just a place for daily care. The freestanding column from the SCOPIO collection is a symbol of strength and presence. Its clear, sculptural form is both majestic and calming. It makes a bold statement in the room while radiating a quiet, unobtrusive elegance through its simple beauty. The washbasin from the SCOPIO series impresses with its minimalist lines and effortless blend of function and style. A washbasin that elevates any setting with its purist grace while never appearing intrusive in its understated beauty. The wall-mounted washbasin captivates with its unusual, almost organic shape. Its deeper, outward-flaring structure gives it an impressive presence that simultaneously conveys a sense of lightness. This unique form seems to lift off from the floor and float into the room, creating a spacious, open effect.

