

FORM

Drop-in washbasin, made of Vitreon Steel, with tap bank, with one tap hole, centered, with overflow, including fixing set, overflow set



DIMENSIONS

Length	450 mm
Width	450 mm
Height	163 mm

COLOURS AND FINISHES

000 White

#option

104 - one tap hole, centre

Back glazed

Bowl length (mm) : 450

Bowl position : Central

Bowl width (mm) : 450

Commodity Code/Import Code Number for Foreign Trad : 73249000

Fixing kit : Included

Glazed base

Installation type : Drop-in / Countertop

Internal Shape : Round

Material : Vitreon Steel

Net weight (kg) : 3.2

Overflow type : Standard

Plug and Waste : Not included

Shape : Round

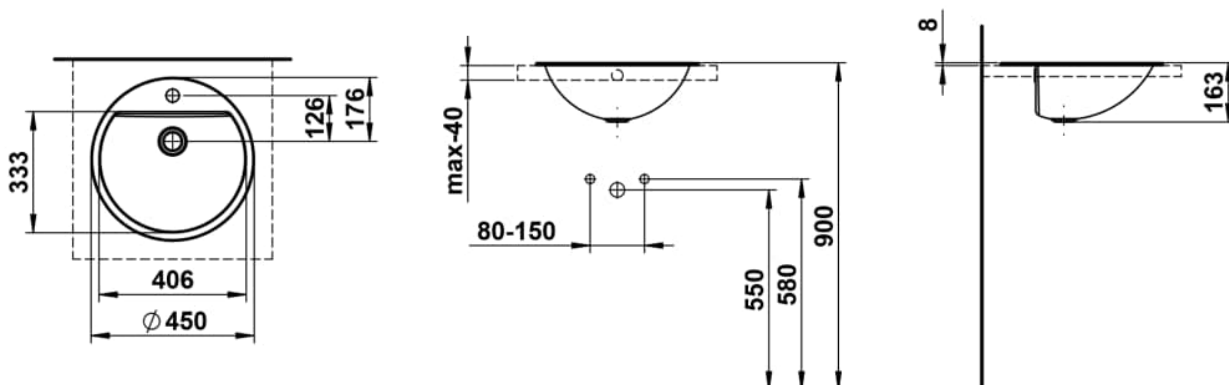
Taphole configuration : 1 taphole in the middle

Trap : Not included

Waste : Not included

Weight (Kg) : 3.1

TECHNICAL DRAWINGS



FORM

The washbasins of the FORM collection are an ode to the purity of design and the refinement of materials. In white, bicolor, matte black, or dark iron, they reveal their full beauty. Clear, flowing lines give them a subtle yet powerful presence, bringing a calm, timeless character to any space. Whether wall-mounted or freestanding, round, oval, or rectangular, FORM combines minimalist architecture with precise craftsmanship. Soft, organic contours create a harmonious balance between geometric clarity and natural grace. Each basin expresses a sense of poise, aesthetics, and an appreciation for what truly matters. Seamlessly integrating into any bathroom concept, it convinces through perfect proportions, meticulous detailing, and well-considered functionality. The result is wash areas that radiate clarity and elegance – a design that remains timeless while harmoniously connecting modern demands with a gentle formal language.

