

MEDA

Washbasin

DIMENSIONS

Length	550 mm
Width	460 mm
Height	165 mm

COLOURS AND FINISHES

000 White

#option

104 - one tap hole, centre



Basin capacity (l) : 0

Bowl depth (mm) : 325

Bowl position : Central

Bowl width (mm) : 530

Commodity Code/Import Code Number for Foreign Trad : 69101000

Fixing kit : Not included

Installation type : Vanity, Wall-hung

Internal Shape : Rectangular

Material : Ceramics

Net weight (kg) : 14

Number of fixing points : 2

Optional towel holder

Overflow type : Standard

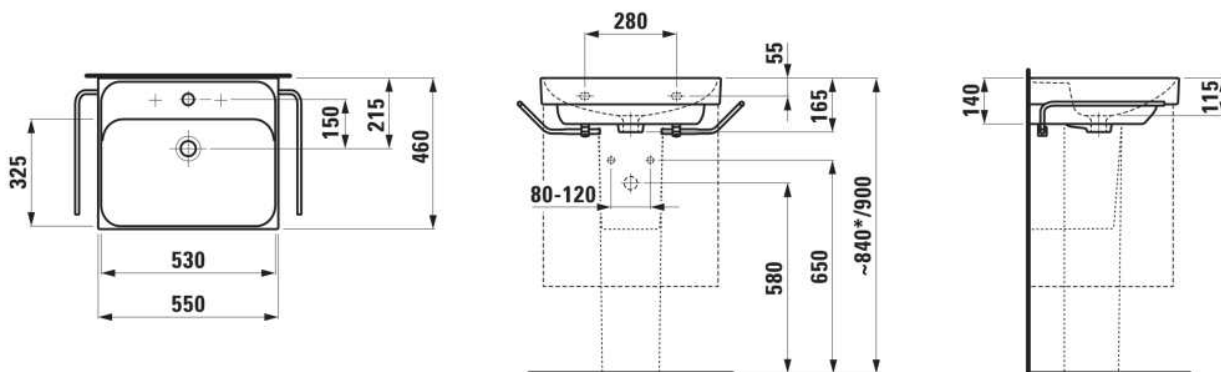
Plug and Waste : Not included

Shape : Rectangular

Taphole configuration : 1 taphole in the middle

Waste : Not included

TECHNICAL DRAWINGS



COMPATIBLE WITH



Basin mixer, projection 110 mm, fixed spout, with pop-up waste

HF506603100000



Vanity unit, 2 drawers, matches washbasin H810112

H421562011...1



LANI Towel frame 550 x 420 for washbasins MEDA, LUA, LAUFEN PRO S

H386960...0001



Towel holder lateral, right

H382122...0001



Towel holder lateral, left

H382123...0001



Towel holder Reling 550 mm

H381122...0001

MEDA

Versatile and timeless. The MEDA collection effortlessly complements any setting, from rental apartment to hotel suite, while reflecting the proven virtues of Swiss design; clarity, functionality and attention to detail. A style emblematic of Swiss designer Peter Wirz and his design firm Vetica.

