

MEDA

Washbasin

DIMENSIONS

Length	550 mm
Width	460 mm
Height	165 mm

COLOURS AND FINISHES

□ 000 White

#option

109 - without tap hole

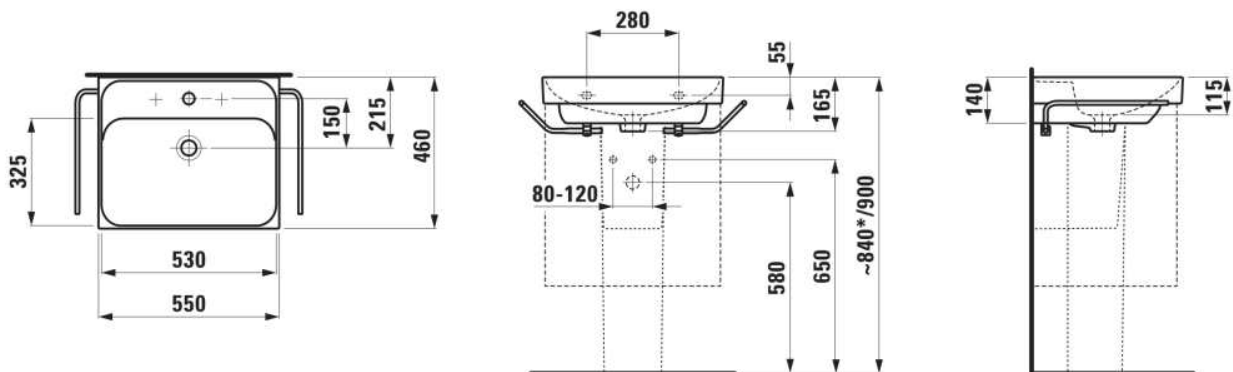


Bowl position : Central
 Fixing kit : Not included
 Installation type : Vanity, Wall-hung
 Internal Shape : Rectangular
 Material : Ceramics

Net weight (kg) : 14
 Number of fixing points : 2
 Optional towel holder
 Overflow type : Standard
 Plug and Waste : Not included

Shape : Rectangular
 Taphole configuration : No tapholes
 Waste : Not included

TECHNICAL DRAWINGS



COMPATIBLE WITH



Wall-mounted mixer for Simibox 2-Point, projection 150 mm, fixed spout

HF506622100000



Vanity unit, 2 drawers, matches washbasin H810112

H421562011...1

Pedestal for washbasin

H819950...0001



Semi-pedestal for washbasin

H819951...0001



Towel holder lateral, right

H382122...0001



Towel holder lateral, left

H382123...0001



Towel holder Reeling 550 mm

H381122...0001



Open waste with ceramic valve cover plate

H898184...0001

MEDA

Versatile and timeless. The MEDA collection effortlessly complements any setting, from rental apartment to hotel suite, while reflecting the proven virtues of Swiss design; clarity, functionality and attention to detail. A style emblematic of Swiss designer Peter Wirz and his design firm Vetica.

