

MEDA

Washbasin

DIMENSIONS

Length	650 mm
Width	460 mm
Height	160 mm

COLOURS AND FINISHES

000 White

#option

111 - one tap hole, without overflow



Commodity Code/Import Code Number for Foreign Trad : 69101000

Installation type : Vanity, Wall-hung

Internal Shape : Rectangular

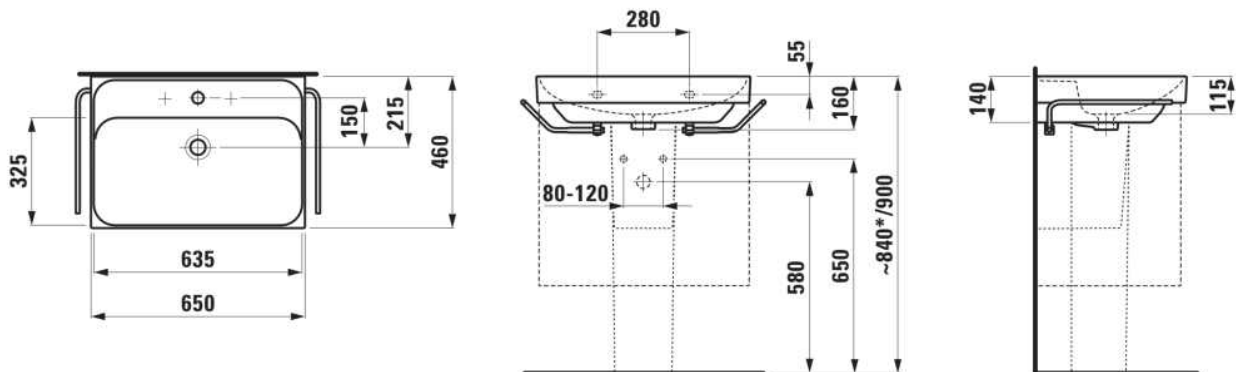
Material : Ceramics

Net weight (kg) : 16

Shape : Rectangular

Taphole configuration : 1 taphole in the middle

TECHNICAL DRAWINGS



COMPATIBLE WITH



Basin mixer, projection 110 mm, fixed spout, with pop-up waste

HF506603100000



Vanity unit, 2 drawers, matches washbasin H810114

H421582011...1



Open waste with ceramic valve cover plate

H898184...0001



Outlet valve chromed

H8954390000001

Pedestal for washbasin

H819950...0001



Semi-pedestal for washbasin

H819951...0001



Towel holder lateral, right

H382120...0001



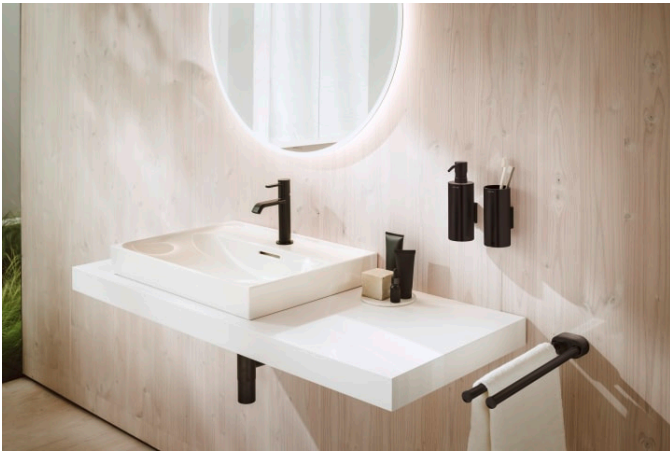
Towel holder lateral, left

H382121...0001



Towel holder Reling 650 mm

H381124...0001



MEDA

Versatile and timeless. The MEDA collection effortlessly complements any setting, from rental apartment to hotel suite, while reflecting the proven virtues of Swiss design; clarity, functionality and attention to detail. A style emblematic of Swiss designer Peter Wirz and his design firm Vetica.

