

VAL

Washbasin



DIMENSIONS

Length	550 mm
Width	420 mm
Height	115 mm

COLOURS AND FINISHES

000 White

#option

104 - one tap hole, centre

#mountingAccessoriesExcluded_text

Mounting set M10 x 140 mm, order no. 89988.2

Bowl length (mm) : 538

Bowl position : Central

Bowl width (mm) : 294

Commodity Code/Import Code Number for Foreign Trad : 69101000

Glazed base

Installation type : Vanity, Wall-hung

Internal Shape : Square

Material : Saphirkeramik

Net weight (kg) : 11.3

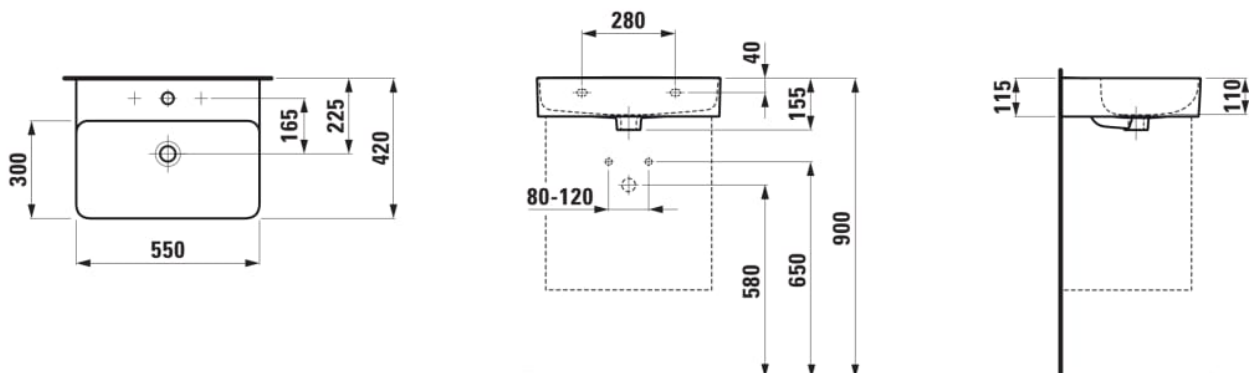
Number of fixing points : 2

Overflow type : Standard

Shape : Rectangular

Taphole configuration : 1 taphole in the middle

TECHNICAL DRAWINGS



COMPATIBLE WITH



LANI Towel frame 550 x 380 for washbasin VAL

H386970...0001



LANI Towel frame 900 x 420 for washbasins Kartell • LAUFEN

H386965...0001



Towel holder lateral, right

H382122...0001



Towel holder lateral, left

H382123...0001



Vanity unit, 2 drawers, matches washbasin H810282

H402192110...1



Vanity unit, 2 drawers, matches washbasin VAL H810282

H411362108...1



Vanity unit, 2 drawers, matches washbasin VAL H810282

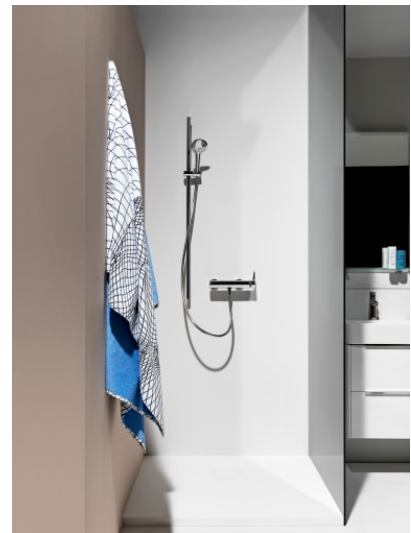
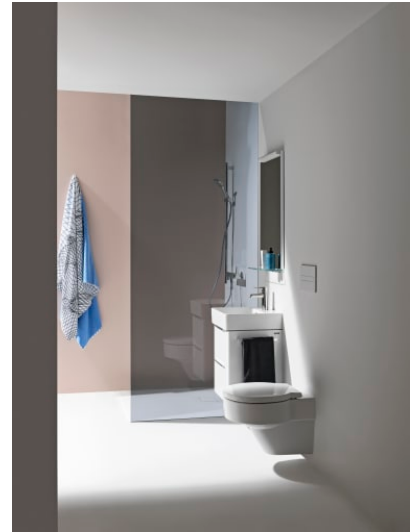
H411582109...1

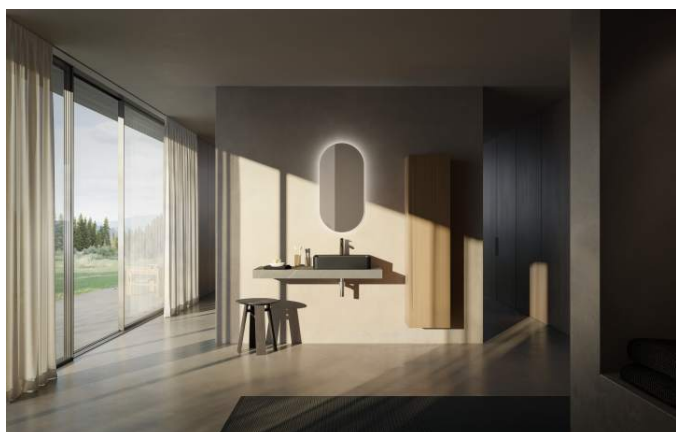


Vanity unit, 2 drawers, matches washbasin H810282

H410122160...1









VAL

Simple architectural lines, extremely narrow edges and finely textured surfaces make the washbasins of VAL by Konstantin Grcic globally unique. Forms and textures not previously possible in sanitary ceramics are realised in an exciting collection which includes washbasins, WC and bidets, bathtubs, faucets and accessories.



#material_text

saphirkeramik

Saphirkeramik

Saphirkeramik, patented and available on the market is one of the latest, globally significant innovation from LAUFEN. This revolutionary, ceramic material reaches its exceptional hardness blended with corundum, a colourless mineral, which is a component of sapphires. This gives Saphirkeramik a flexural strength equal to that of steel. Yet it has the potential to be wafer-thin, giving designers almost infinite freedom to experiment – and tear up the rulebook of bathroom design.