

VAL

## Washbasin

### DIMENSIONS

Length	650 mm
Width	420 mm
Height	115 mm

### COLOURS AND FINISHES

000 White

### #option

108 - three tap holes



#mountingAccessoriesExcluded\_text

Mounting set M10 x 140 mm, order no. 89988.2

Bowl length (mm) : 638

Bowl position : Central

Bowl width (mm) : 294

Commodity Code/Import Code Number for Foreign Trad : 69101000

Glazed base

Installation type : Vanity, Wall-hung

Internal Shape : Square

Material : Saphirkeramik

Net weight (kg) : 13.1

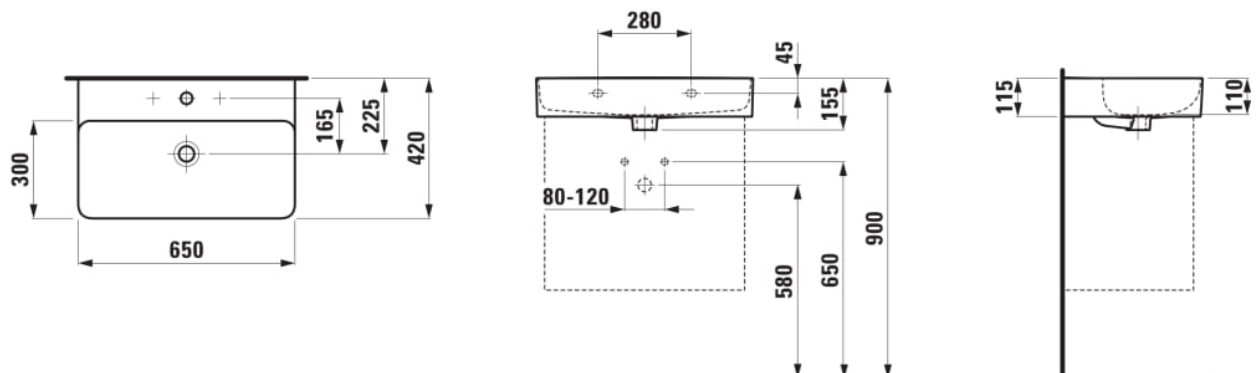
Number of fixing points : 2

Overflow type : Standard

Shape : Rectangular

Taphole configuration : 3 tapholes

### TECHNICAL DRAWINGS



COMPATIBLE WITH



Towel holder lateral, right

**H382120...0001**



Towel holder lateral, left

**H382121...0001**



Vanity unit, 2 drawers,  
matches washbasin  
H810284

**H402312110...1**



Vanity unit, 2 drawers,  
matches washbasin VAL  
H810284

**H411612109...1**



Vanity unit, 2 drawers,  
matches washbasin  
H810284

**H410162160...1**





## VAL

Simple architectural lines, extremely narrow edges and finely textured surfaces make the washbasins of VAL by Konstantin Grcic globally unique. Forms and textures not previously possible in sanitary ceramics are realised in an exciting collection which includes washbasins, WC and bidets, bathtubs, faucets and accessories.



#material\_text

saphirkeramik

## Saphirkeramik

Saphirkeramik, patented and available on the market is one of the latest, globally significant innovation from LAUFEN. This revolutionary, ceramic material reaches its exceptional hardness blended with corundum, a colourless mineral, which is a component of sapphires. This gives Saphirkeramik a flexural strength equal to that of steel. Yet it has the potential to be wafer-thin, giving designers almost infinite freedom to experiment – and tear up the rulebook of bathroom design.