

PRO X

Washbasin

DIMENSIONS

Length	550 mm
Width	465 mm
Height	160 mm

COLOURS AND FINISHES

000 White

#option

109 - without tap hole



#mountingAccessoriesExcluded_text

Mounting set M10 x 140 mm, order no. H899882

Bowl position : Central

Commodity Code/Import Code Number for Foreign Trad : 69101000

Fixing kit : Not included

Glazed base

Installation type : Vanity, Wall-hung

Internal Shape : Rectangular

Material : Ceramics

Net weight (kg) : 14.5

Number of fixing points : 2

Overflow type : Standard

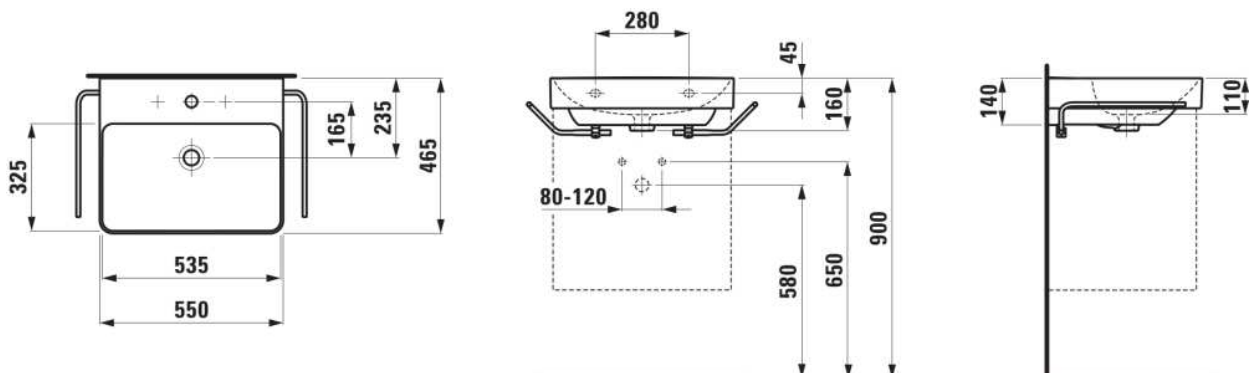
Plug and Waste : Not included

Shape : Rectangular

Taphole configuration : No tapholes

Waste : Not included

TECHNICAL DRAWINGS



COMPATIBLE WITH



LANI Towel frame 550 x 420 for washbasins MEDA, LUA, LAUFEN PRO S

H386960...0001



Towel holder lateral, right

H382122...0001



Towel holder lateral, left

H382123...0001



Towel holder Reling 550 mm

H381122...0001



Vanity unit, 2 drawers, matches washbasin PRO S H810962 / PRO X 810862

H411242108...1



Vanity unit, 2 drawers, matches washbasin PRO S H810962 / PRO X 810862

H411462109...1





PRO X

Marking the third generation of this highly successful collection, PRO X integrates timeless aesthetics with cutting-edge technology to deliver maximum investment security. Designed to meet the needs of private homes, hospitality projects, and public spaces, it offers a versatile and contemporary solution for modern bathrooms.

