

PRO X

Washbasin



DIMENSIONS

Length	600 mm
Width	465 mm
Height	160 mm

COLOURS AND FINISHES

000 White

#option

104 - one tap hole, centre

#mountingAccessoriesExcluded_text

Mounting set M10 x 140 mm, order no. H899882

Bowl position : Central

Commodity Code/Import Code Number for Foreign Trad : 69109000

Fixing kit : Not included

Glazed base

Installation type : Vanity, Wall-hung

Internal Shape : Rectangular

Material : Ceramics

Net weight (kg) : 15.3

Number of fixing points : 2

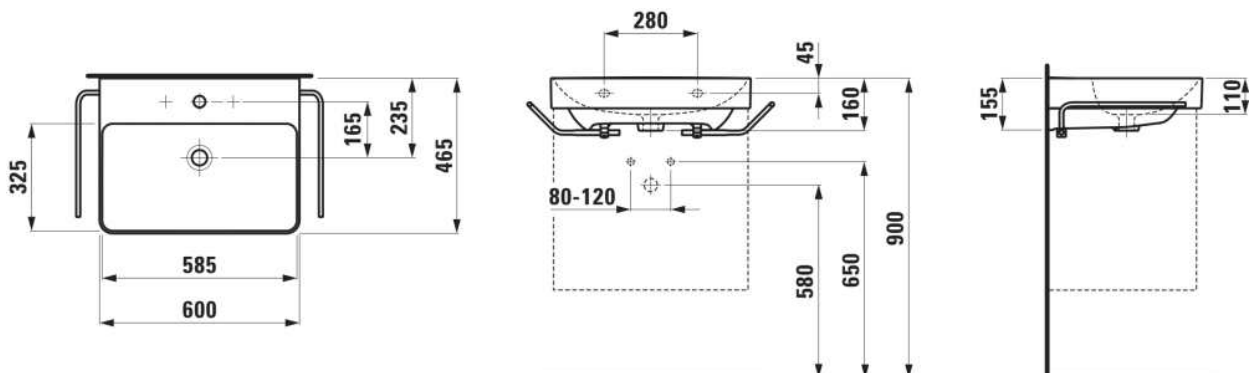
Plug and Waste : Not included

Shape : Rectangular

Taphole configuration : 1 taphole in the middle

Waste : Not included

TECHNICAL DRAWINGS



COMPATIBLE WITH



LANI Towel frame 600 x 420 for washbasins
Kartell • LAUFEN, MEDA,
LUA, LAUFEN PRO S

H386961...0001



Towel holder lateral, right

H382122...0001



Towel holder lateral, left

H382123...0001



Towel holder Reling 600 mm

H381123...0001



Vanity unit, 2 drawers,
matches washbasin PRO
S H810963 / PRO X
810863

H411272108...1

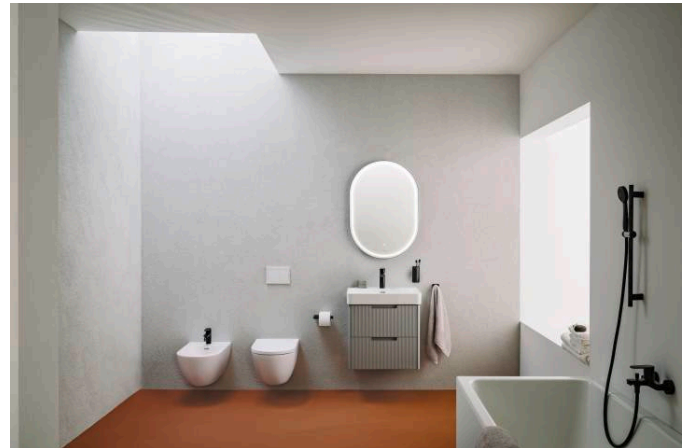


Vanity unit, 2 drawers,
matches washbasin PRO
S H810963 / PRO X
810863

H411492109...1











PRO X

Marking the third generation of this highly successful collection, PRO X integrates timeless aesthetics with cutting-edge technology to deliver maximum investment security. Designed to meet the needs of private homes, hospitality projects, and public spaces, it offers a versatile and contemporary solution for modern bathrooms.

