

PRO X

Washbasin

DIMENSIONS

Length	650 mm
Width	465 mm
Height	160 mm

COLOURS AND FINISHES

000 White

#option

104 - one tap hole, centre



#mountingAccessoriesExcluded_text

Mounting set M10 x 140 mm, order no. H899882

Bowl position : Central

Commodity Code/Import Code Number for Foreign Trad : 69109000

Fixing kit : Not included

Glazed base

Installation type : Vanity, Wall-hung

Internal Shape : Rectangular

Material : Ceramics

Net weight (kg) : 17

Number of fixing points : 2

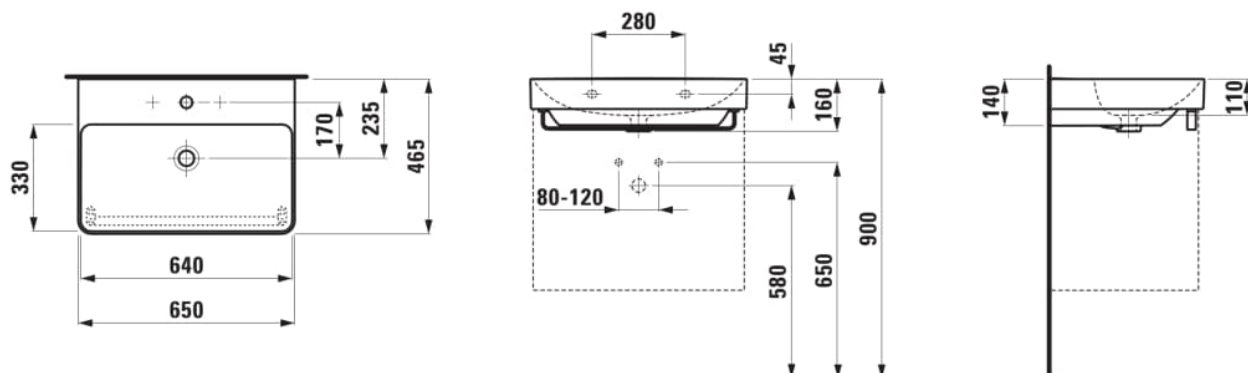
Plug and Waste : Not included

Shape : Rectangular

Taphole configuration : 1 taphole in the middle

Waste : Not included

TECHNICAL DRAWINGS



COMPATIBLE WITH



LANI Towel frame 650 x 420 for washbasins MEDA, LUA, LAUFEN PRO S

H386962...0001



Towel holder lateral, right

H382122...0001



Towel holder lateral, left

H382123...0001



Towel holder Reling 650 mm

H381124...0001



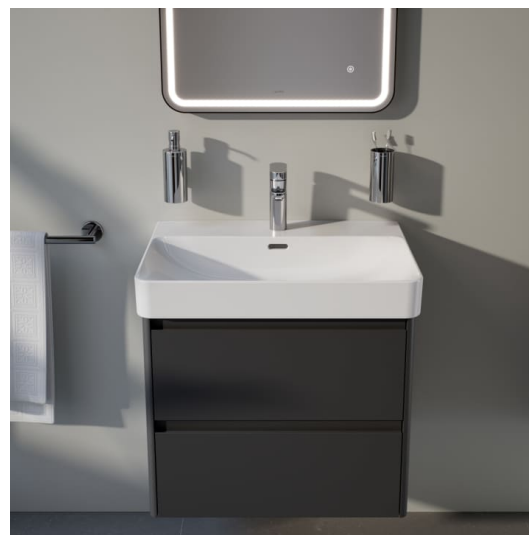
Vanity unit, 2 drawers, matches washbasin PRO S H810964 / PRO X 810864

H411282108...1



Vanity unit, 2 drawers, matches washbasin PRO S H810964 / PRO X 810864

H411502109...1







PRO X

Marking the third generation of this highly successful collection, PRO X integrates timeless aesthetics with cutting-edge technology to deliver maximum investment security. Designed to meet the needs of private homes, hospitality projects, and public spaces, it offers a versatile and contemporary solution for modern bathrooms.

