

**PRO S**

## Washbasin



**DIMENSIONS**

Length	650 mm
Width	465 mm
Height	95 mm

**COLOURS AND FINISHES**

□ 000 White

**#option**

104 - one tap hole, centre

#mountingAccessoriesExcluded\_text

Mounting set M10 x 140 mm, order no. 899882

Bowl length (mm) : 600

Bowl position : Central

Bowl width (mm) : 310

Commodity Code/Import Code Number for Foreign Trad : 69101000

Glazed base

Installation type : Vanity, Wall-hung

Internal Shape : Square

Material : Ceramics

Net weight (kg) : 17

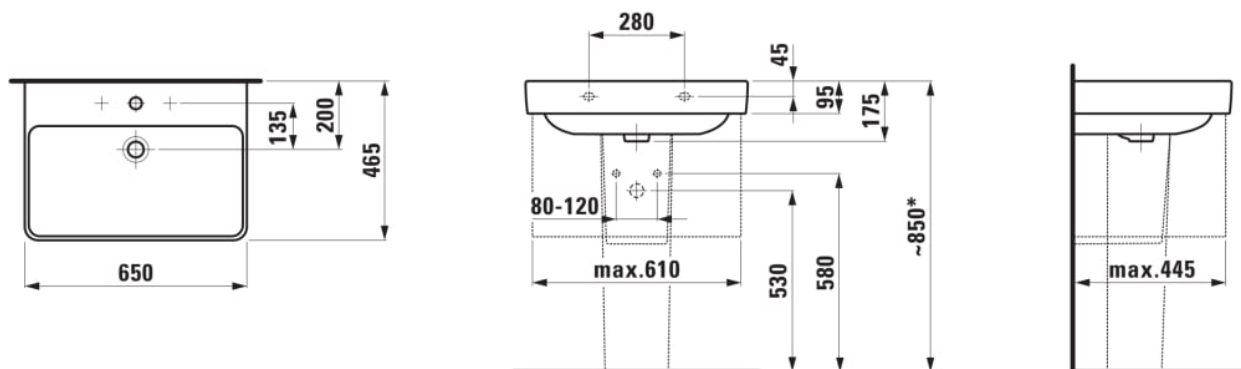
Number of fixing points : 2

Overflow type : Standard

Shape : Rectangular

Taphole configuration : 1 taphole in the middle

**TECHNICAL DRAWINGS**



\* = Effective height must be fixed according to the height of the pedestal.

## COMPATIBLE WITH



Vanity unit, 1 drawer,  
matches washbasin  
H810964

**H483421096...1**



Vanity unit, 1 drawer and  
interior drawer, incl.  
drawer organiser,  
matches washbasin  
H810964

**H483422096...1**



LANI Towel frame 650 x  
420 for washbasins  
MEDA, LUA, LAUFEN PRO  
S

**H386962...0001**



Vanity unit, 2 drawers,  
matches washbasin  
H810964

**H402292110...1**



Vanity unit, 2 drawers,  
matches washbasin PRO  
S H810964 / PRO X  
810864

**H411282108...1**



Vanity unit, 2 drawers,  
matches washbasin PRO  
S H810964 / PRO X  
810864

**H411502109...1**





## PRO S

With great sensitivity, designer Peter Wirz of Vetica Design has evolved the LAUFEN PRO concept into a slimmer, more geometric form. Defined by precise radii and a light silhouette, LAUFEN PRO S unites elegance with everyday functionality, bringing premium design within reach while combining effortlessly with existing pieces from the LAUFEN PRO collection.

