

## PALOMBA COLLECTION

### Washbasin with integrated pedestal, with wall connection



#### DIMENSIONS

Length	520 mm
Width	435 mm
Height	900 mm

#### COLOURS AND FINISHES

000 White

#### #option

104 - one tap hole, centre

#mountingAccessoriesExcluded\_text

Charge 104 – ceramic-plated vertical cover, order no. H898190

Charge 109 – valve without overflow always open, with ceramic valve cover plate, order no. H898184

Flexible siphon LAUFEN, order no. H894975

Nickelled articulation, order no. WI891225903

Asymmetrical

Bowl position : Right

Commodity Code/Import Code Number for Foreign Trad : 69101000

Fixing kit : Included

Installation type : Wall-hung

Internal Shape : Soft

Material : Ceramics

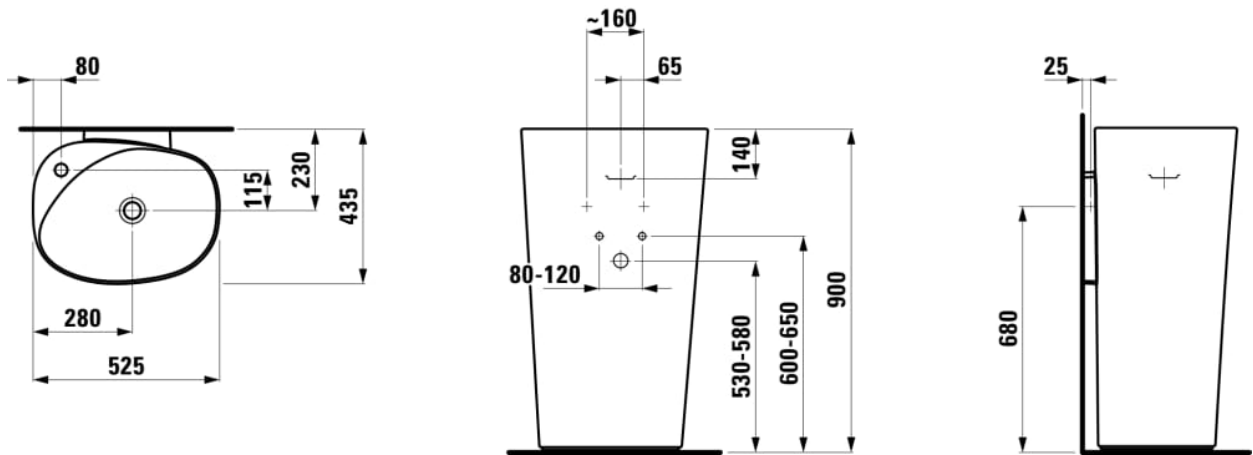
Net weight (kg) : 45

Overflow type : Standard

Shape : Soft

Taphole configuration : 1 taphole in the middle

TECHNICAL DRAWINGS



## PALOMBA COLLECTION

The design of the LAUFEN PALOMBA COLLECTION recalls small inlets or pebbles shaped by the eternal movement of the sea, expertly transformed into ceramic. All elements of the collection harmonise with one another as each one of them bears the signature of the Italian designer couple, Ludovica+Roberto Palomba.

