

MEDA

Washbasin

DIMENSIONS

Length	1200 mm
Width	460 mm
Height	80 mm

COLOURS AND FINISHES

000 White

#option

104 - one tap hole, centre



#mountingAccessoriesExcluded_text

2x Mounting set M10 x 140 mm, order no. H899882

Bowl position : Central

Commodity Code/Import Code Number for Foreign Trad : 69109000

Fixing kit : Not included

Glazed base

Installation type : Vanity, Wall-hung

Integrated shelf

Internal Shape : Rectangular

Material : Ceramics

Net weight (kg) : 29.2

Number of fixing points : 4

Optional towel holder

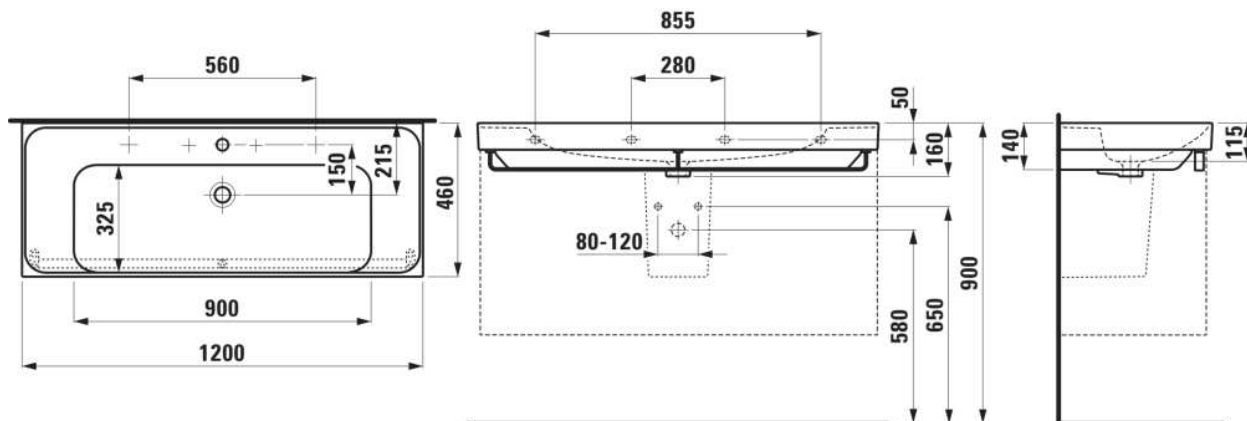
Overflow type : Standard

Shape : Rectangular

Taphole configuration : 1 taphole in the middle

Waste : Not included

TECHNICAL DRAWINGS



COMPATIBLE WITH



Basin mixer, projection 110 mm, fixed spout, with pop-up waste

HF506603100000



Vanity unit, 2 drawers, matches washbasin H814111

H421632011...1



Open waste with ceramic valve cover plate

H898184...0001



Semi-pedestal for washbasin

H819951...0001



Towel holder lateral, right

H382120...0001



Towel holder lateral, left

H382121...0001



Towel holder Reling 1200 mm

H381128...0001





MEDA

Versatile and timeless. The MEDA collection effortlessly complements any setting, from rental apartment to hotel suite, while reflecting the proven virtues of Swiss design; clarity, functionality and attention to detail. A style emblematic of Swiss designer Peter Wirz and his design firm Vetica.

