

MEDA

Washbasin

DIMENSIONS

Length	1200 mm
Width	460 mm
Height	80 mm

COLOURS AND FINISHES

□ 000 White

#option

108 - three tap holes



Bowl position : Central

Commodity Code/Import Code Number for Foreign Trad : 69109000

Fixing kit : Not included

Glazed base

Installation type : Vanity, Wall-hung

Integrated shelf

Internal Shape : Rectangular

Material : Ceramics

Net weight (kg) : 29.2

Number of fixing points : 4

Optional towel holder

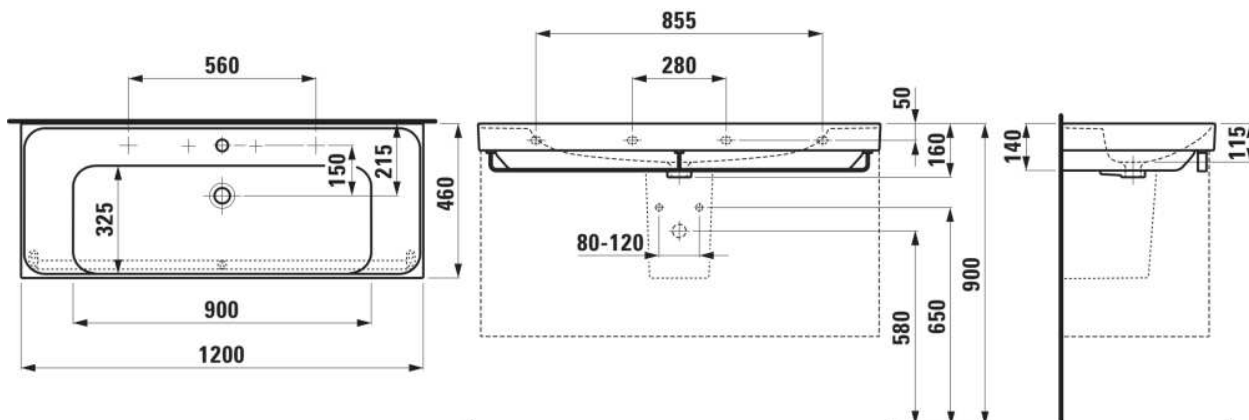
Overflow type : Standard

Shape : Rectangular

Taphole configuration : 3 tapholes

Waste : Not included

TECHNICAL DRAWINGS



COMPATIBLE WITH



3-hole basin mixer,
projection 110 mm, fixed
spout, with pop-up waste

HF506611100000



Vanity unit, 2 drawers,
matches washbasin
H814111

H421632011...1



Semi-pedestal for
washbasin

H819951...0001



Towel holder lateral, right

H382120...0001



Towel holder lateral, left

H382121...0001



Towel holder Reling 1200
mm

H381128...0001



Open waste with ceramic
valve cover plate

H898184...0001





MEDA

Versatile and timeless. The MEDA collection effortlessly complements any setting, from rental apartment to hotel suite, while reflecting the proven virtues of Swiss design; clarity, functionality and attention to detail. A style emblematic of Swiss designer Peter Wirz and his design firm Vetica.

