

PRO S

Double washbasin

DIMENSIONS

Length	1300 mm
Width	465 mm
Height	95 mm

COLOURS AND FINISHES

000 White

#option

104 - one tap hole, centre

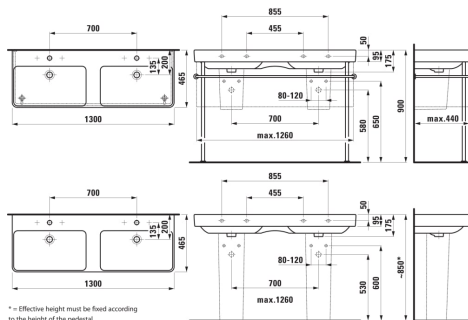


Bowl length (mm) : 540
 Bowl position : Central
 Bowl width (mm) : 295
 Double basin
 Glazed base


Installation type : Vanity, Wall-hung
 Internal Shape : Rectangular
 Material : Ceramics
 Net weight (kg) : 34
 Number of fixing points : 4

Overflow type : Standard
 Shape : Rectangular
 Taphole configuration : 1 taphole in the middle

TECHNICAL DRAWINGS




COMPATIBLE WITH




Vanity unit, 2 drawers, incl. drawer organiser, matches washbasin H814968

H483571096...1




Vanity unit, 2 drawers and interior drawer, incl. drawer organiser, matches washbasin H814968

H483572096...1




Towel holder Reling 1300 mm

H381129...0001




Vanity unit, 4 drawers, matches washbasin H814968

H402514110...1



Vanity unit, 4 drawers, matches washbasin PRO S H814968

H411334108...1



Vanity unit, 4 drawers, matches washbasin PRO S H814968

H411554109...1





PRO S

With great sensitivity, designer Peter Wirz of Vetica Design has evolved the LAUFEN PRO concept into a slimmer, more geometric form. Defined by precise radii and a light silhouette, LAUFEN PRO S unites elegance with everyday functionality, bringing premium design within reach while combining effortlessly with existing pieces from the LAUFEN PRO collection.

