

VAL

Small washbasin round, shelf right, cuttable to 430 mm



DIMENSIONS

Length	550 mm
Width	315 mm
Height	115 mm

COLOURS AND FINISHES

000 White

#option

105 - one tap hole left

#mountingAccessoriesExcluded_text

Mounting set M10 x 140 mm, order no. 89988.2

Asymmetrical

Basin capacity (l) : 0

Bowl depth (mm) : 110

Bowl length (mm) : 275

Bowl position : Left

Bowl width (mm) : 275

Commodity Code/Import Code Number for Foreign Trad : 69101000

Corner basin

Cuttable

Cutting type : Straight

Installation type : Wall-hung

Integrated shelf

Internal Shape : Round

Made to measure

Material : Saphirkeramik

Minimum cutting width (mm) : 430

Net weight (kg) : 8

Number of fixing points : 2

Optional towel holder

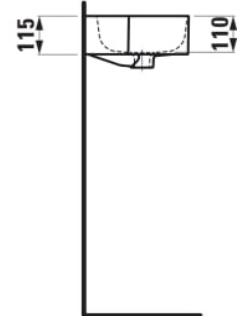
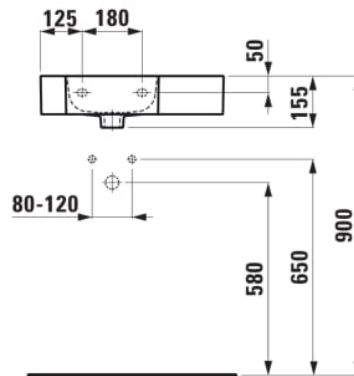
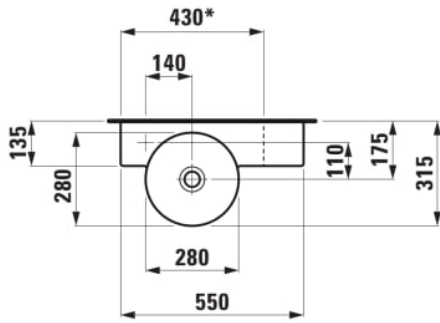
Shape : Round

Shelf position : Right

Small(washbasin)

Taphole configuration : 1 taphole on the left side

TECHNICAL DRAWINGS



* = minimum measure for cutting

COMPATIBLE WITH



Push-open valve with
SaphirKeramik Cover US
version

H898192...0001



Towel holder, matching
small washbasin round,
shelf right H815283

H381281...0001



LANI Towel frame 900 x
420 for washbasins
Kartell • LAUFEN

H386965...0001



Open waste valve with
SaphirKeramik cover

H898188...0001

VAL

Simple architectural lines, extremely narrow edges and finely textured surfaces make the washbasins of VAL by Konstantin Grcic globally unique. Forms and textures not previously possible in sanitary ceramics are realised in an exciting collection which includes washbasins, WC and bidets, bathtubs, faucets and accessories.



#material_text

saphirkeramik

Saphirkeramik

Saphirkeramik, patented and available on the market is one of the latest, globally significant innovation from LAUFEN. This revolutionary, ceramic material reaches its exceptional hardness blended with corundum, a colourless mineral, which is a component of sapphires. This gives Saphirkeramik a flexural strength equal to that of steel. Yet it has the potential to be wafer-thin, giving designers almost infinite freedom to experiment – and tear up the rulebook of bathroom design.