

PRO S

Small washbasin, tap bank left



DIMENSIONS

Length	480 mm
Width	280 mm
Height	85 mm

COLOURS AND FINISHES

□ 000 White

#option

104 - one tap hole, centre

#mountingAccessoriesExcluded_text

Mounting set M10 x 140 mm, order no. 89988.2

Asymmetrical

Bowl depth (mm) : 85

Bowl length (mm) : 355

Bowl position : Right

Bowl width (mm) : 225

Glazed base

Installation type : Vanity, Wall-hung

Internal Shape : Rectangular

Material : Ceramics

Net weight (kg) : 8.5

Number of fixing points : 2

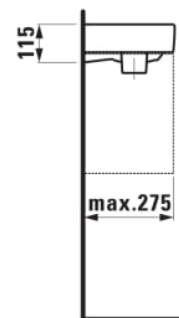
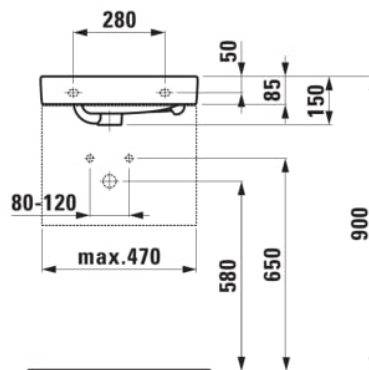
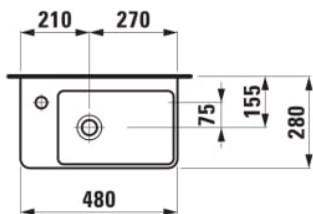
Overflow type : Standard

Shape : Rectangular

Small(washbasin)

Taphole configuration : 1 taphole in the middle

TECHNICAL DRAWINGS



COMPATIBLE WITH



Vanity unit, 1 door, left hinged, shelf right, open-sided, matches washbasin H815955

H483001095...1



Vanity unit, 1 door, left hinged, matches small washbasin H815955

H402101110...1



Vanity unit 480, 1 door, hinge left, for PRO S H815955 and Combipack H865965 / PRO X H815865 and Combipack H865865

H411231108...1



PRO S

With great sensitivity, designer Peter Wirz of Vetica Design has evolved the LAUFEN PRO concept into a slimmer, more geometric form. Defined by precise radii and a light silhouette, LAUFEN PRO S unites elegance with everyday functionality, bringing premium design within reach while combining effortlessly with existing pieces from the LAUFEN PRO collection.

