

PRO S

## Washbasin 'compact'



DIMENSIONS

Length	550 mm
Width	380 mm
Height	95 mm

COLOURS AND FINISHES

000 White

#option

104 - one tap hole, centre

#mountingAccessoriesExcluded\_text

Mounting set M10 x 140 mm, order no. 89988.2

Bowl depth (mm) : 95

Bowl length (mm) : 500

Bowl position : Central

Bowl width (mm) : 225

Commodity Code/Import Code Number for Foreign Trad : 69101000

Compact basin

Installation type : Vanity, Wall-hung

Internal Shape : Rectangular

Material : Ceramics

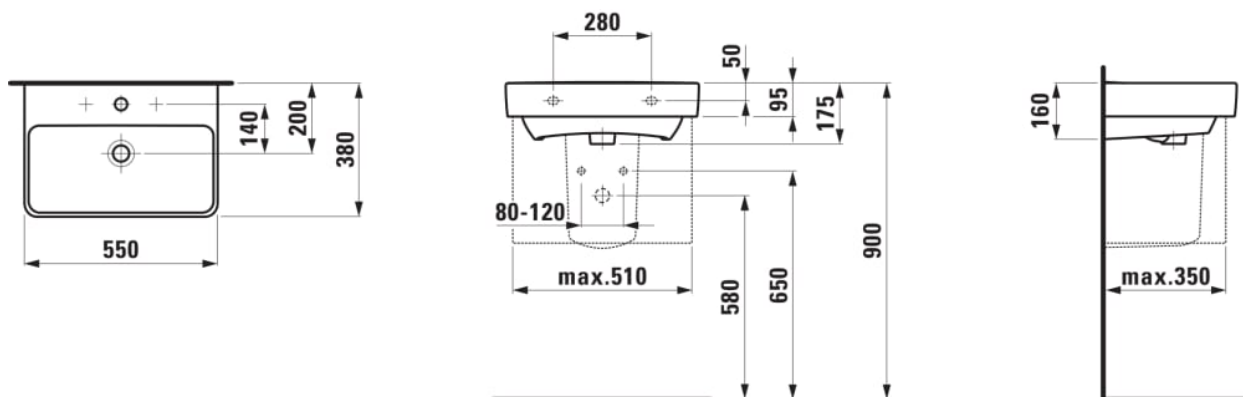
Net weight (kg) : 12.5

Number of fixing points : 2

Shape : Rectangular

Taphole configuration : 1 taphole in the middle

TECHNICAL DRAWINGS



COMPATIBLE WITH



Vanity unit, 1 drawer,  
matches washbasin  
H818958

**H483021095...1**

Vanity unit, 1 drawer and  
interior drawer, incl.  
drawer organiser,  
matches washbasin  
H818958

**H483022095...1**

Pedestal for washbasin

**H819950...0001**



Vanity unit, 2 drawers,  
matches washbasin  
H818958

**H402152110...1**



Vanity unit, 2 drawers,  
matches washbasin PRO  
S H818958 / PRO X  
H818862

**H411252108...1**



Vanity unit, 2 drawers,  
matches washbasin PRO  
S H818958 / PRO X  
H818862

**H411472109...1**





## PRO S

With great sensitivity, designer Peter Wirz of Vetica Design has evolved the LAUFEN PRO concept into a slimmer, more geometric form. Defined by precise radii and a light silhouette, LAUFEN PRO S unites elegance with everyday functionality, bringing premium design within reach while combining effortlessly with existing pieces from the LAUFEN PRO collection.

