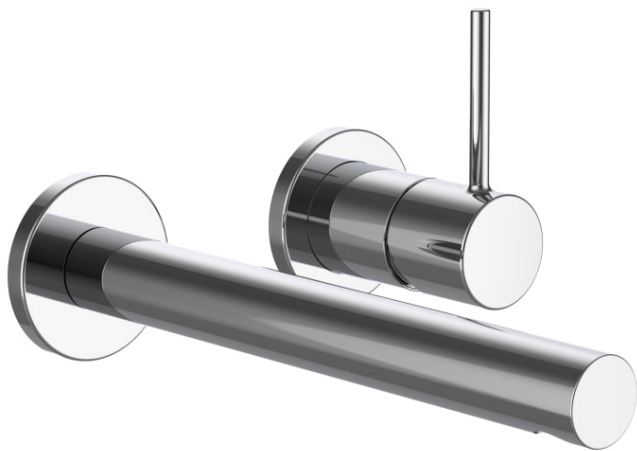


**TWINPLUS SLIM**

Wall-mounted mixer for Simibox 2-Point,  
projection 195 mm, fixed spout



**DIMENSIONS**

Length	1 mm
Width	1 mm
Height	1 mm

Acoustic level (dB) : Group 1 (Up to 20 dB)

Aerator type : Honeycomb PCA

Annual energy consumption (kWh/p.a.) :  
361.46

Application : Basin

Commodity Code/Import Code Number for  
Foreign Trad : 84818019

Faucet type : Single-lever

Fixed spout

Flow rate (l/min - 3 bar) : 5.4

Handle position : Lateral

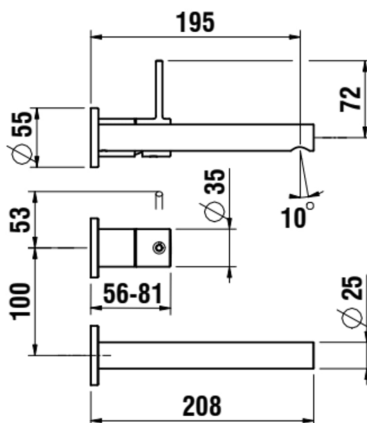
Installation type : Wall-mounted

Net weight (kg) : 0.94

Spout position : Central

Type of cartridge : Ceramic Disc

**TECHNICAL DRAWINGS**



COMPATIBLE WITH



Extension

**HF530023000000**



Concealed box, suitable for The New Classic, Kartell • Laufen, Twinplus Slim, Meda, Cityplus, Swisstop and Pure, fittings 1/2", lever on the right

**HF574049000000**



Fixing rail set

**HF529050941000**

## TWINPLUS SLIM

An evolution of excellence, TWINPLUS SLIM refines the acclaimed TWINPLUS with a slimmer, more elegant design and enhanced technology. With its flowing lines and streamlined design, it makes a stylish statement in any modern bathroom.

#certification\_text

Standards and approvals: A+

