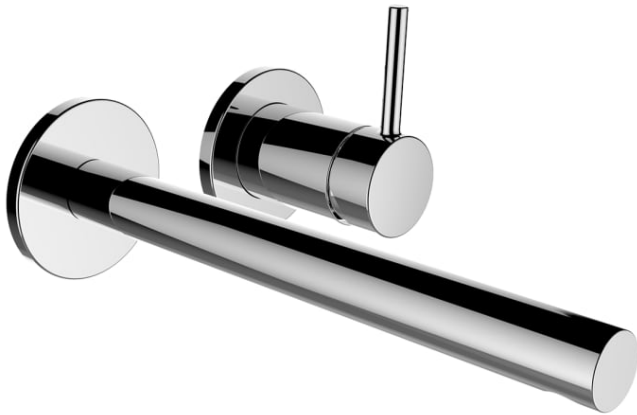


TWINPLUS SLIM

Wall-mounted mixer for Simibox 2-Point,
projection 225 mm, fixed spout



DIMENSIONS

Length	1 mm
Width	1 mm
Height	1 mm

Acoustic level (dB) : Group 1 (Up to 20 dB)

Aerator type : Honeycomb PCA

Annual energy consumption (kWh/p.a.) :
361.46

Application : Basin

Commodity Code/Import Code Number for
Foreign Trad : 84818090

Faucet type : Single-lever

Fixed spout

Flow rate (l/min - 3 bar) : 5.4

Handle position : Lateral

Installation type : Wall-mounted

Net weight (kg) : 1.02

Spout position : Central

Type of cartridge : Ceramic Disc