



TWINPLUS SLIM

Column bath mixer for rough-in set, projection 210 mm, fixed spout, with synthetic flexible hose 1250 mm, with handspray TwinStick

DIMENSIONS

Length	1 mm
Width	1 mm
Height	1 mm

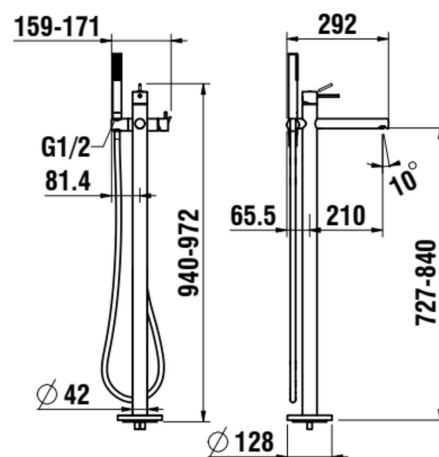
Commodity Code/Import Code Number for Foreign Trad : 84818019

Flow rate (l/min - 3 bar) : 23.2

Installation type : Floor-standing

Net weight (kg) : 7.6

TECHNICAL DRAWINGS



COMPATIBLE WITH



Concealed body for
column bath mixer,
suitable for Ada, Twinplus
Slim and Kartell • Laufen
H321338...1211

HF574070000000



TWINPLUS SLIM

An evolution of excellence, TWINPLUS SLIM refines the acclaimed TWINPLUS with a slimmer, more elegant design and enhanced technology. With its flowing lines and streamlined design, it makes a stylish statement in any modern bathroom.

