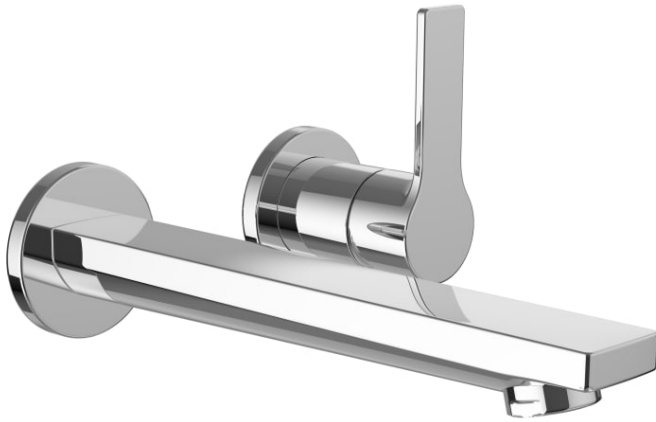


SWISSTAP

Wall-mounted mixer for Simibox 2-Point,
projection 188 mm, fixed spout

DIMENSIONS

Length	1 mm
Width	1 mm
Height	1 mm



Acoustic level (dB) : Group 1 (Up to 20 dB)

Aerator type : Honeycomb PCA

Annual energy consumption (kWh/p.a.) :
381.54

Application : Basin

Commodity Code/Import Code Number for
Foreign Trad : 84818019

Faucet type : Single-lever

Flow rate (l/min - 3 bar) : 5.7

Handle position : Lateral

Installation type : Wall-mounted

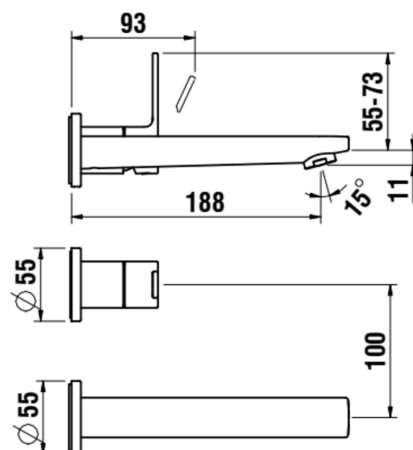
Net weight (kg) : 1.03

ProductType : Basin mixer

Spout position : Central

Type of cartridge : Ceramic headwork

TECHNICAL DRAWINGS

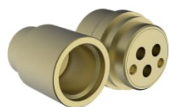


COMPATIBLE WITH



Fixing rail set

HF529050941000



Extension

HF530023000000



Concealed box, suitable for The New Classic, Kartell • Laufen, Twinplus Slim, Meda, Cityplus, Swisstap and Pure, fittings 1/2", lever on the right

HF574049000000

SWISSTAP

A comprehensive faucet collection, SWISSTAP is designed for versatility and reliability across the bathroom. Spanning basin mixers, wall-mounted options and concealed shower controls, it offers a wide range of refined finishes to suit diverse interiors. A flexible, design-forward solution that adapts effortlessly to multiple architectural styles and project requirements.



#certification_text

Standards and approvals: A+