



## SWISSTAP

Set for concealed bath mixer, for Simibox Standard & Simibox Light

### DIMENSIONS

Length	1 mm
Width	1 mm
Height	1 mm

Acoustic level (dB) : Group 1 (Up to 20 dB)

Application : Bath

Cartridge features : Flow brake,  
Temperature brake

Check valve

Commodity Code/Import Code Number for  
Foreign Trad : 84818019

Diverter : Automatic

Faucet type : Single-lever

Flow rate (l/min - 3 bar) : 20.6

Handle position : Lateral

Installation type : Built-in

Net weight (kg) : 1.04

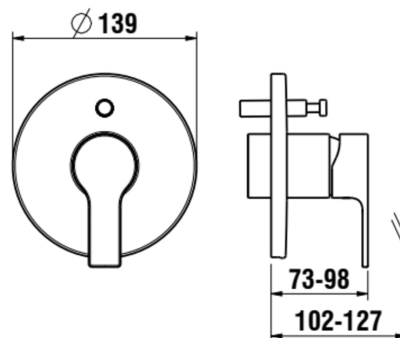
ProductType : Bath mixer

Space-saving

Type of cartridge : Ceramic headwork

Water and energy-saving

### TECHNICAL DRAWINGS



## COMPATIBLE WITH



Concealed box, for bath and shower mixers, fittings 1/2", with stopvalves, inversion for in-/outlets possible

**HF574007000000**



Concealed box, for bath and shower mixers, fittings 1/2", with stopvalves

**HF574037000000**



Concealed box, for bath and shower mixers, fittings 1/2", without stopvalves

**HF574038000000**

## SWISSTAP

A comprehensive faucet collection, SWISSTAP is designed for versatility and reliability across the bathroom. Spanning basin mixers, wall-mounted options and concealed shower controls, it offers a wide range of refined finishes to suit diverse interiors. A flexible, design-forward solution that adapts effortlessly to multiple architectural styles and project requirements.

