



**ADA**

Basin mixer, tray without hole, projection 110 mm, fixed spout, without pop-up waste

**DIMENSIONS**

Length	1 mm
Width	1 mm
Height	1 mm

**COLOURS AND FINISHES**

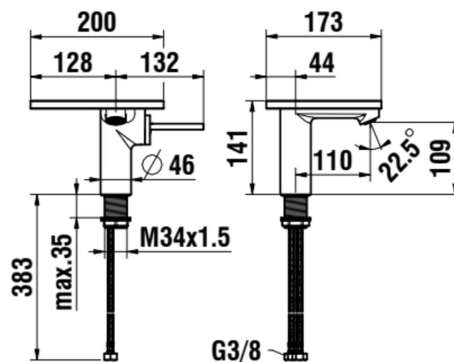
■ 501 PVD inox/white glossy

Acoustic level (dB) : Group 1 (Up to 20 dB)  
 Aerator type : Honeycomb PCA  
 Application : Basin  
 Commodity Code/Import Code Number for Foreign Trad : 84818011  
 Faucet type : Single-lever  
 Fixed spout

Flexible supply hoses included  
 Flow rate (l/min - 3 bar) : 5.7  
 Handle position : Lateral  
 Installation type : Deck-mounted  
 Joystick cartridge  
 Net weight (kg) : 2.43

Spout position : Central  
 Type of cartridge : Joystick  
 Waste type : Waste not included  
 Water connection diameter : 3/8"

**TECHNICAL DRAWINGS**





## ADA

Faucets from ADA stand out for their integrated trays and combination of function and aesthetics. The trays are available in different designs that blend seamlessly into a variety of bathroom styles. Practically positioned, the trays offer a convenient solution for keeping soap or decorative items within easy reach, without the need to install additional trays or shelves.



### #certification\_text

Standards and approvals: A+