

ADA

Bath mixer for Simibox 1-Point, tray with hole, projection 170 mm, with flexible hose 1600 mm, with handspray TwinStick



DIMENSIONS

Length	1 mm
Width	1 mm
Height	1 mm

COLOURS AND FINISHES

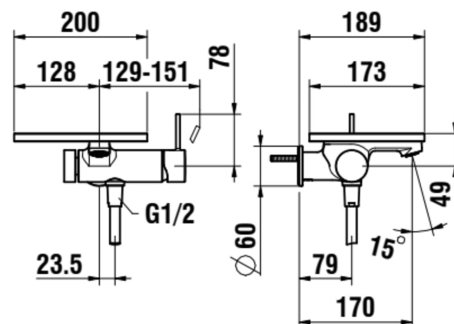
■ 501	PVD inox/white glossy
-------	-----------------------

Acoustic level (dB) : Group 1 (Up to 20 dB)
 Application : Bath
 Cartridge features : Flow brake,
 Temperature brake
 Check valve
 Commodity Code/Import Code Number for
 Foreign Trad : 84818090
 Faucet type : Single-lever

Fixed spout
 Flexible supply hoses included
 Flow rate (l/min - 3 bar) : 20
 Handle position : Lateral
 Installation type : Wall-mounted
 Net weight (kg) : 2.63

Spout position : Central
 Type of cartridge : Ceramic Disc
 Water and energy-saving
 Water connection diameter : 1/2"

TECHNICAL DRAWINGS



ADA

Faucets from ADA stand out for their integrated trays and combination of function and aesthetics. The trays are available in different designs that blend seamlessly into a variety of bathroom styles. Practically positioned, the trays offer a convenient solution for keeping soap or decorative items within easy reach, without the need to install additional trays or shelves.



#certification_text

Standards and approvals: B