

ADA

Bath mixer for Simibox 1-Point, tray without hole, projection 170 mm, with flexible hose 1600 mm, with handspray TwinStick



DIMENSIONS

Length	1 mm
Width	1 mm
Height	1 mm

COLOURS AND FINISHES

■	501 PVD inox/white glossy
---	---------------------------

Acoustic level (dB) : Group 1 (Up to 20 dB)

Application : Bath

Cartridge features : Flow brake,
Temperature brake

Check valve

Commodity Code/Import Code Number for
Foreign Trad : 84818090

Faucet type : Single-lever

Fixed spout

Flexible supply hoses included

Flow rate (l/min - 3 bar) : 20

Handle position : Lateral

Installation type : Wall-mounted

Net weight (kg) : 2.67

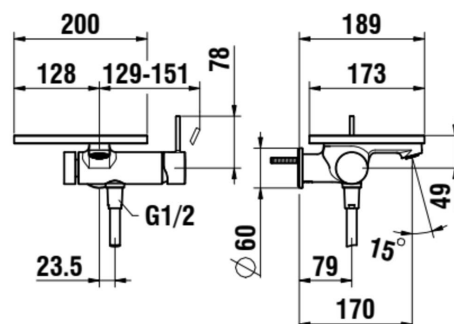
Spout position : Central

Type of cartridge : Ceramic Disc

Water and energy-saving

Water connection diameter : 1/2"

TECHNICAL DRAWINGS



ADA

Faucets from ADA stand out for their integrated trays and combination of function and aesthetics. The trays are available in different designs that blend seamlessly into a variety of bathroom styles. Practically positioned, the trays offer a convenient solution for keeping soap or decorative items within easy reach, without the need to install additional trays or shelves.



#certification_text

Standards and approvals: B