



## CURVETRONIC

Electronic basin mixer with IR sensors, projection 135 mm, fixed spout, with mains adapter, 100-240V, 50Hz/6V, DC, with Bluetooth adapter, PVD inox look

### DIMENSIONS

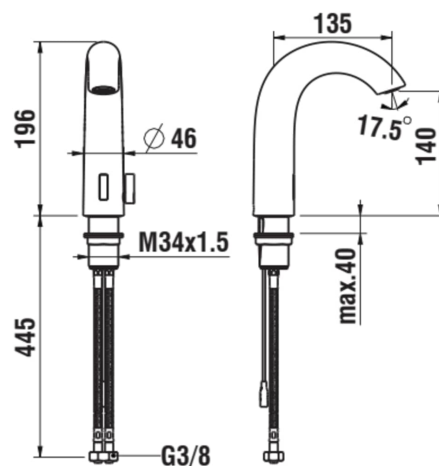
Length	1 mm
Width	1 mm
Height	1 mm

Acoustic level (dB) : Group 1 (Up to 20 dB)  
 Aerator type : Honeycomb  
 Annual energy consumption (kWh/p.a.) : 321.29  
 Anti-vandal  
 Application : Basin  
 Check valve  
 Commodity Code/Import Code Number for Foreign Trad : 84818019

Electronic technology  
 Faucet type : Electronic technology  
 Flexible supply hoses included  
 Flow rate (l/min - 3 bar) : 4.8  
 Installation type : Deck-mounted  
 Net weight (kg) : 2.17  
 Operating voltage (V) : 240

Power supply : Mains operated  
 Proximity detection  
 Temperature control : Mechanical mixer  
 Water and energy-saving  
 Water connection diameter : 3/8"

## TECHNICAL DRAWINGS

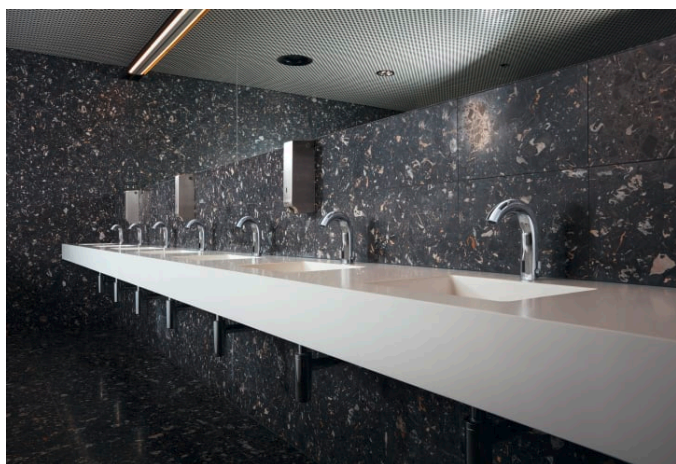


COMPATIBLE WITH



Electronic basin mixer with IR sensors, projection 135 mm, fixed spout, with battery 6V, without Bluetooth adapter, PVD inox look

**HF707153423060**





## CURVETRONIC



#certification\_text

Standards and approvals: A+