



CURVETRONIC

Electronic basin mixer with IR sensors, projection 135 mm, fixed spout, with battery 6V, without Bluetooth adapter, PVD inox look

DIMENSIONS

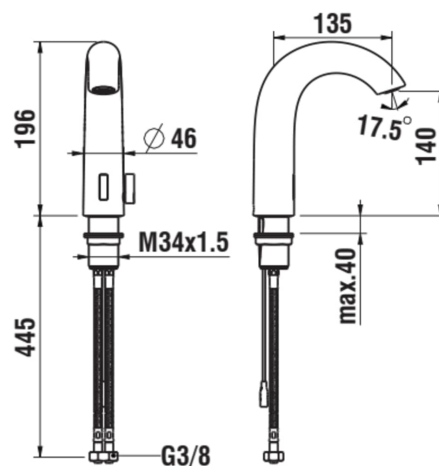
Length	1 mm
Width	1 mm
Height	1 mm

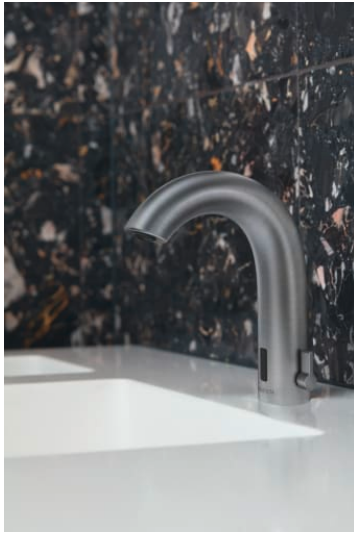
Acoustic level (dB) : Group 1 (Up to 20 dB)
 Aerator type : Honeycomb
 Annual energy consumption (kWh/p.a.) : 321.29
 Anti-vandal
 Application : Basin
 Check valve
 Commodity Code/Import Code Number for Foreign Trad : 84818019

Electronic technology
 Faucet type : Electronic technology
 Flexible supply hoses included
 Flow rate (l/min - 3 bar) : 4.8
 Installation type : Deck-mounted
 Net weight (kg) : 2.18
 Operating voltage (V) : 6

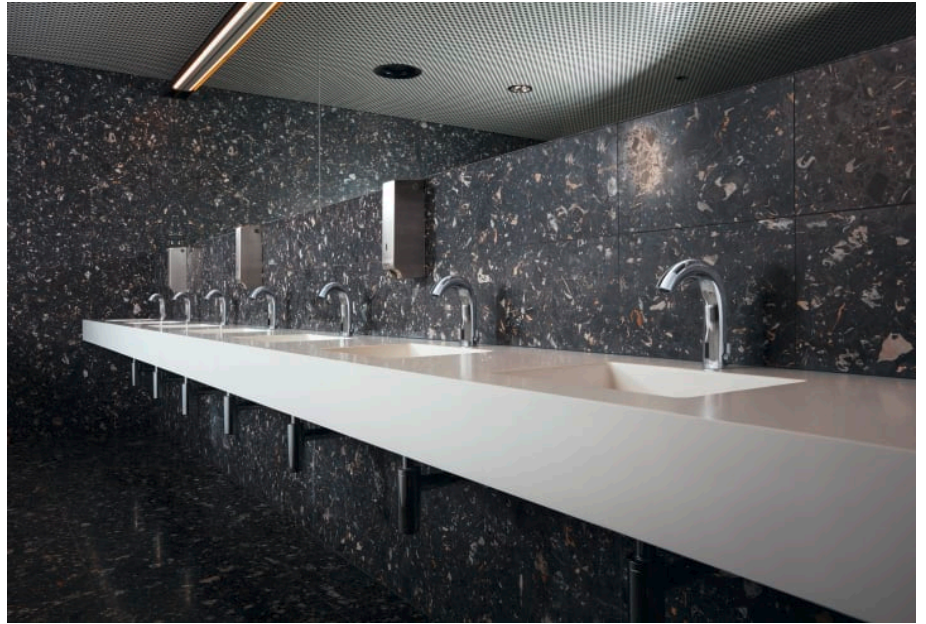
Power supply : Batteries
 Proximity detection
 Temperature control : Mechanical mixer
 Water and energy-saving
 Water connection diameter : 3/8"

TECHNICAL DRAWINGS





CURVETRONIC



#certification_text

Standards and approvals: A+