



CURVETRONIC

Electronic basin mixer with IR sensors, projection 135 mm, fixed spout, with mains adapter, 100-240V, 50Hz/6V, DC, with Bluetooth adapter, PVD rosegold brushed

DIMENSIONS

Length	1 mm
Width	1 mm
Height	1 mm

Acoustic level (dB) : Group 1 (Up to 20 dB)

Annual energy consumption (kWh/p.a.) : 321.29

Application : Basin

Commodity Code/Import Code Number for Foreign Trad : 84818019

Faucet type : Electronic technology

Flow rate (l/min - 3 bar) : 4.8

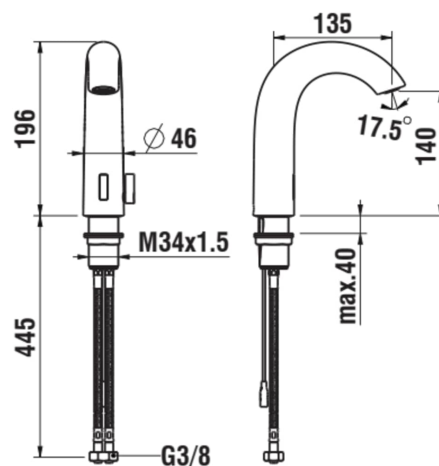
Installation type : Deck-mounted

Net weight (kg) : 0.98

Temperature control : Mechanical mixer

Water connection diameter : 3/8"

TECHNICAL DRAWINGS



CURVETRONIC

