



CURVETRONIC

Electronic pillar faucet for basin for cold or mixed water with IR sensors, projection 135 mm, fixed spout, with mains adapter, 100-240V, 50Hz/6V, DC, with Bluetooth adapter

DIMENSIONS

Length	1 mm
Width	1 mm
Height	1 mm

Acoustic level (dB) : Group 1 (Up to 20 dB)

Aerator type : Honeycomb

Annual energy consumption (kWh/p.a.) : 321.29

Anti-vandal

Application : Basin

Check valve

Commodity Code/Import Code Number for Foreign Trad : 84818090

Electronic technology

Faucet type : Electronic technology

Flexible supply hoses included

Flow rate (l/min - 3 bar) : 4.8

Installation type : Deck-mounted

Net weight (kg) : 2.09

Operating voltage (V) : 240

Power supply : Mains operated

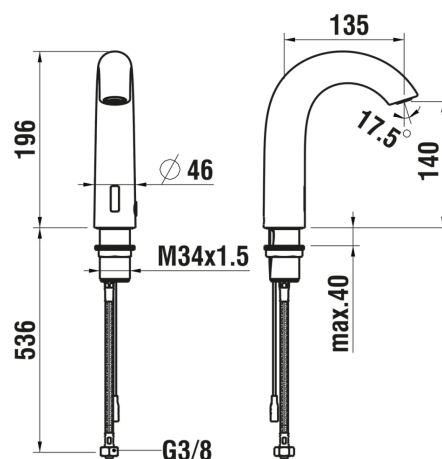
Proximity detection

Temperature control : Cold or pre-mixed water

Water and energy-saving

Water connection diameter : 3/8"

TECHNICAL DRAWINGS

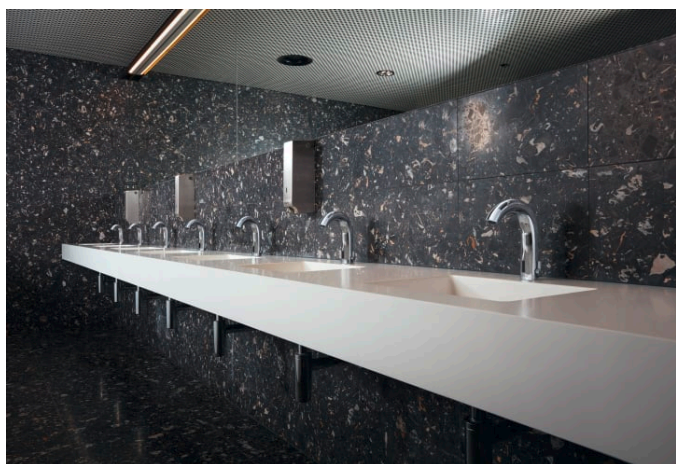


COMPATIBLE WITH

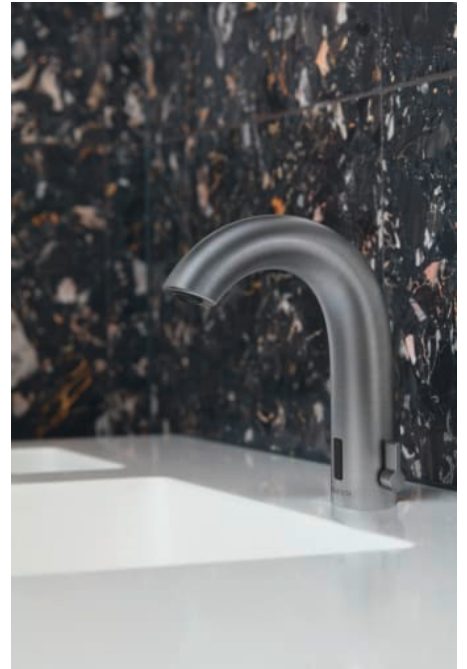


Electronic pillar faucet for basin for cold or mixed water with IR sensors, projection 135 mm, fixed spout, with battery 6V, without Bluetooth adapter

HF707154100060



CURVETRONIC



#certification_text

Standards and approvals: A+