



CURVETRONIC

Electronic pillar faucet for basin for cold or mixed water with IR sensors, projection 135 mm, fixed spout, with battery 6V, without Bluetooth adapter

DIMENSIONS

Length	1 mm
Width	1 mm
Height	1 mm

Acoustic level (dB) : Group 1 (Up to 20 dB)

Aerator type : Honeycomb

Annual energy consumption (kWh/p.a.) : 321.29

Anti-vandal

Application : Basin

Check valve

Commodity Code/Import Code Number for Foreign Trad : 84818090

Electronic technology

Faucet type : Electronic technology

Flexible supply hoses included

Flow rate (l/min - 3 bar) : 4.8

Installation type : Deck-mounted

Net weight (kg) : 2.06

Operating voltage (V) : 6

Power supply : Batteries

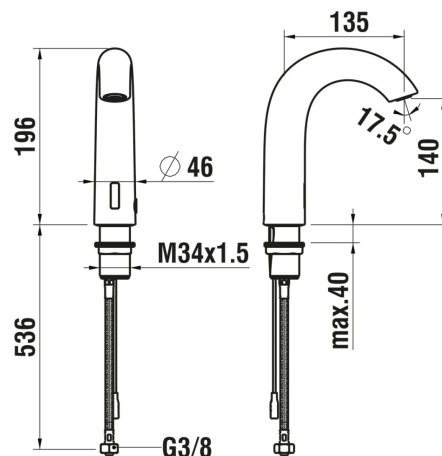
Proximity detection

Temperature control : Cold or pre-mixed water

Water and energy-saving

Water connection diameter : 3/8"

TECHNICAL DRAWINGS





CURVETRONIC



#certification_text

Standards and approvals: A+