

THERM

Twin, Set for concealed 2-handle thermostatic shower mixer, for Simibox Standard & Simibox Light, PVD rosegold brushed

DIMENSIONS

Length	1 mm
Width	1 mm
Height	1 mm

Acoustic level (dB) : Group 2 (20-30 dB)

Application : Shower

Check valve

Commodity Code/Import Code Number for Foreign Trad : 84818019

Diverter : Manual

Diverter-flow regulator

Faucet type : Thermostatic

Flow rate (l/min - 3 bar) : 17.3

Installation type : Built-in

Net weight (kg) : 2.28

SafeTouch

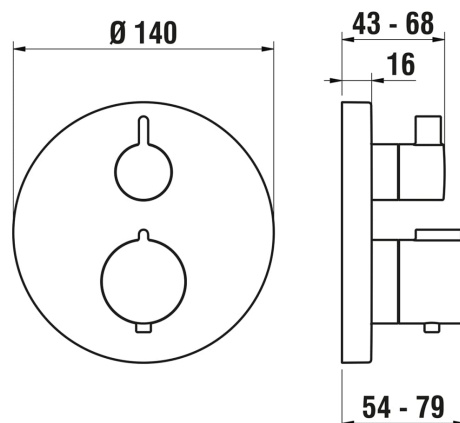
Safety 38°

Temperature selection

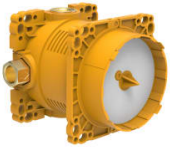
Type of cartridge : Thermostatic

Water and energy-saving

TECHNICAL DRAWINGS



COMPATIBLE WITH



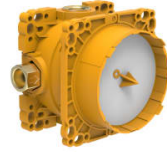
Concealed box, for bath and shower mixers, fittings 1/2", with stopvalves, inversion for in-/outlets possible

HF574007000000



Concealed box, for bath and shower mixers, fittings 1/2", with stopvalves

HF574037000000



Concealed box, for bath and shower mixers, fittings 1/2", without stopvalves

HF574038000000

THERM

Designed for intuitive control, THERM is a concealed shower mixer with a diverter that enables seamless switching between rain shower and hand shower. Its minimalistic design pairs with Simibox Standard or Simibox Light and is available in refined finishes including Chrome, Matt Black, Gold, Gold Matt, Rose Gold, Rose Gold brushed and Inox Look.

